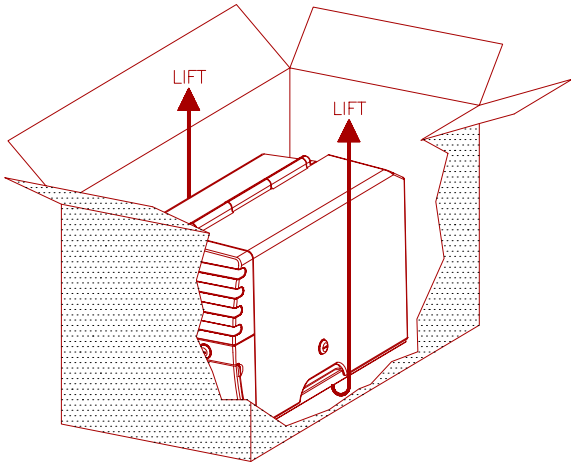
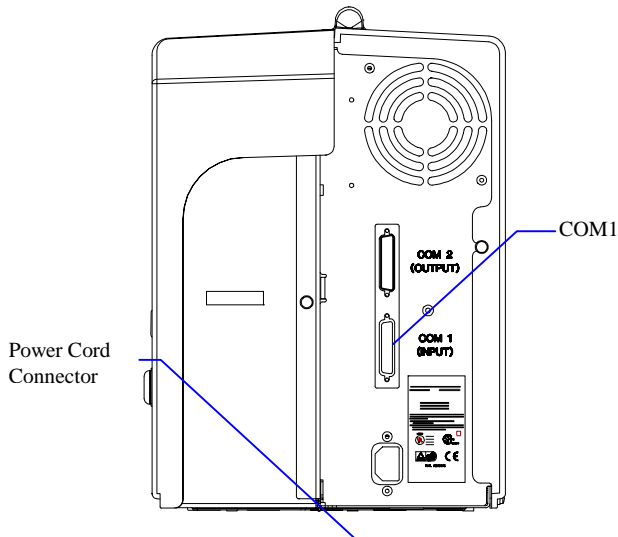


Quick Start Up Procedure

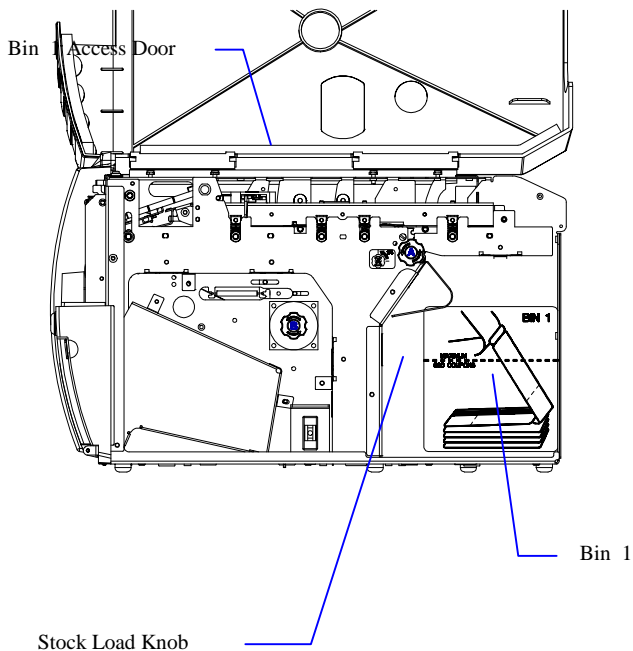
107762 Rev. A



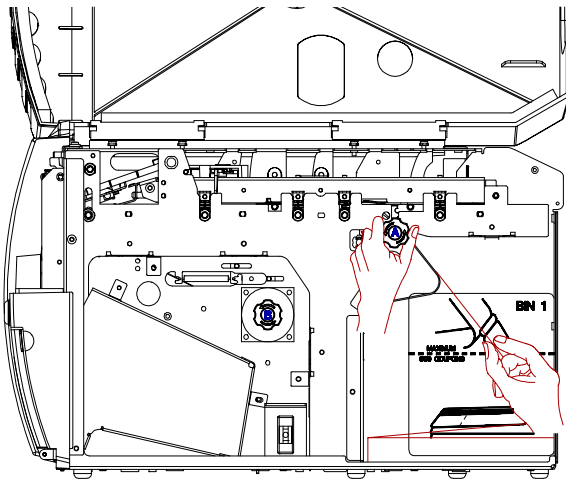
1. Unpack the printer using adequate assistance. Save packing materials.
2. Choose a location for the printer with the following considerations:
 - A level surface capable of adequately supporting printer weight.
 - Near a grounded power receptacle.
 - Adequate clearance: Left side 3 inches (8 cm), Right side 11 inches (27 cm), Top 15 inches (38 cm), Rear 1 inch (2 cm).



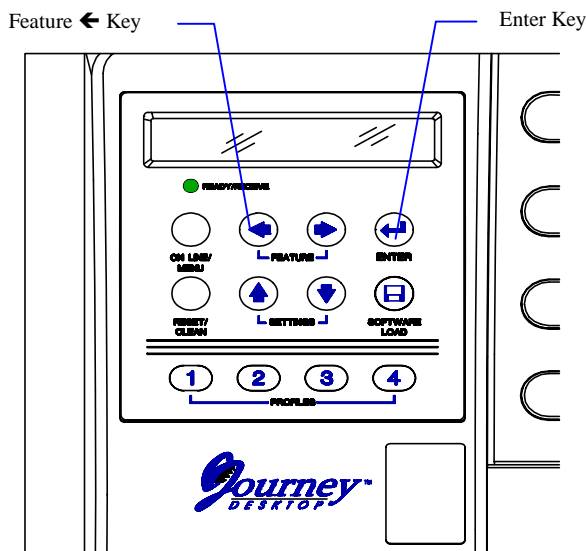
1. Away from excessive illumination, high and low temperature and humidity, dirt and dust.
2. Align the front base of the printer with the desktop edge to allow the **Output Bin Door** to fully open and hang down out of the way.
3. Connect the host RS-232 serial connector to the printer **COM1** serial port located on the back of the printer (the bottom connector).



4. Connect a grounded AC power cord to the AC wall receptacle and the printers AC power receptacle located on the back of the printer.
5. Using one of the keys provided unlock the **Bin 1 Access Door** located on the right side of the printer.
6. Open the door completely until it rests on the left top side of the printer.
7. Load ATB-2 ticket stock (**MAXIMUM of 500**) in the proper orientation as shown on the '**Bin 1**' instruction label located in the Bin .



1. Insert the staple tab end of the coupon stock into the entry roller slot with the printed side of the coupon facing up.
2. Turn the green stock load knob labeled 'A' one quarter turn counterclockwise as indicated on the label to the right of this knob.
3. Close the Bin 1 Access Door and lock.
4. Power the printer on using the AC switch located on the left side near the rear. Move the switch to the '1' position (towards the front) to turn on.



1. Wait for the power up self test to complete. The top line of the keypad display should indicate 'On Line:' when complete.
2. Place the printer off line by pressing the **ON LINE/MENU** key.
3. Press the 'FEATURE' ← (left arrow) key once to select "Test Print 1 Coupon" feature.
4. Press the 'ENTER' key.
5. One test coupon will print with a character ripple pattern and magnetic test pattern on the magnetic stripe.
6. If no errors occurred during this test, press the **ON LINE/MENU** key to place the printer 'On Line:'. The printer is now ready for operation.