

JOURNEY PRINTHEAD REMOVAL INSTRUCTIONS

Tools Required:

- No.1 Phillips screwdriver
- Wrist strap (or similar device) for ESD grounding

Printhead Removal:

1. Verify that all replacement parts and tools are present.
2. Turn off the power switch, unplug the AC power cord, and disconnect all communication and interface cables.
3. Unlock and open the Bin 1 Access cover completely, until it rests on the Service cover.
4. **IMPORTANT: Properly ground yourself using an ESD wrist strap (or similar device) to prevent static discharge damage to the electronics.**
5. Disconnect the printhead cable from the printhead (Figure 1).
6. Open the Zone 2 access door (Figure 2).
7. Using the Screw Access Hole Locations, loosen (but do not remove) the two screws securing the printhead (Figure 2).
8. Remove the printhead by sliding it forward (Figure 3).
9. Install the screws into the new printhead with one turn only (do not tighten completely).
10. Install the new printhead by first properly seating it onto the locator dimples (Figure 4), then by tightening the screws. **IMPORTANT: Make sure that the printhead is properly seated on the dimples. Failure to do this will cause poor print quality and coupon jamming.**
11. Close Zone 2 access door.
12. Connect printhead cable to printhead, close and lock Bin 1 Access cover.

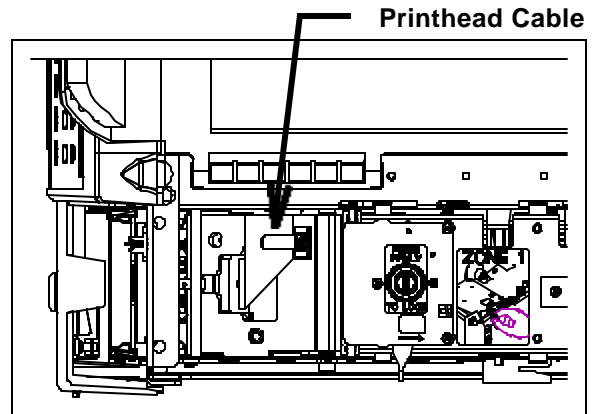


Figure 1

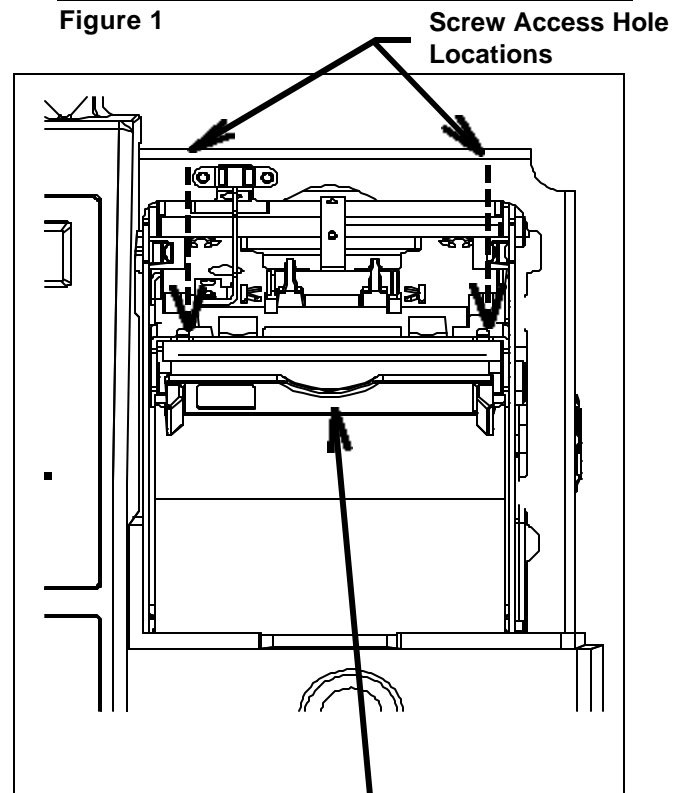


Figure 2

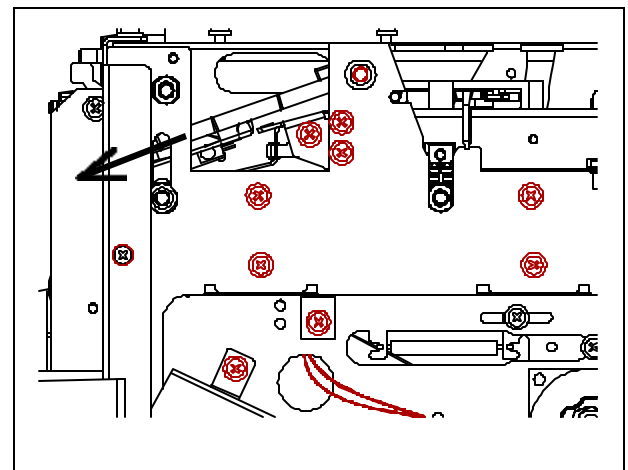


Figure 3

13. Reconnect all communication and interface cables, plug in the AC power cord and turn on the power switch.
14. Verify proper functionality by printing a test coupon (*refer to the Operations and/or Maintenance Manuals if you need additional information*).

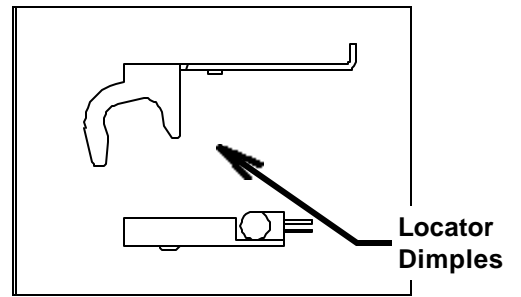


Figure 4

Printhead