

TP2000 PRINTHEAD REPLACEMENT INSTRUCTIONS

Tools Required:

No.1 and No.2 Phillips screwdrivers
 Wrist strap (or similar device) for ESD grounding

To Replace the Printhead:

1. Verify that all replacement parts and tools are present.
2. Turn off the power switch, unplug the AC power cord, and disconnect all communication and interface cables.
3. **IMPORTANT: Properly ground yourself using an ESD wrist strap (or similar device) to prevent static discharge damage to the electronics.**
4. Remove two #8-32 Phillips screws from the Top Cover, located in front on bottom side.
5. Lift the Top Cover and lock in place by pushing down the Locking Hinge Bracket, located on the left and inside of Base Assembly.
6. Remove three #8-32 Phillips screws on each side of the Front Stiffener Bracket then remove and place the bracket on the Base Assembly.
7. Remove two #4-40 Phillips screws from the Mounting-PH Clip, remove the clip from the Carriage and disconnect the Printhead Cable Assembly.
8. Remove the Printhead from the Carriage by removing two #4-40 Phillips screws then replace it with the new Printhead.
9. Connect the Printhead Cable Assembly to the new Printhead and assemble remaining printer parts in reverse order beginning with step 8.
10. Unlock (pull up on Locking Hinge Bracket) and close the Top Cover then secure with two screws from step 4.
11. Reconnect all communication and interface cables, plug in the AC power cord and turn on the power switch.
12. Verify proper functionality by printing a self-test (*refer to the Operations and/or Maintenance Manuals if you need additional information*).

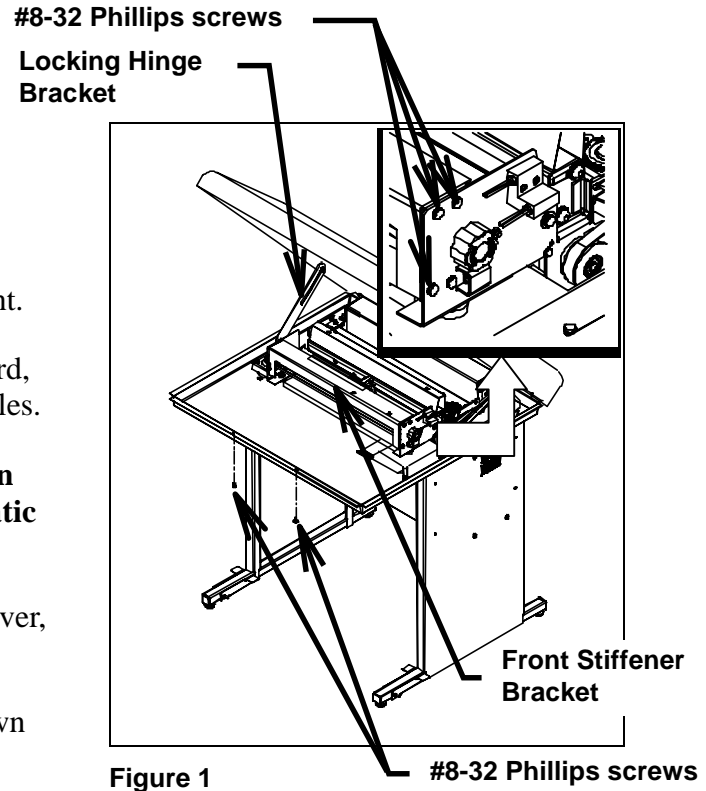


Figure 1

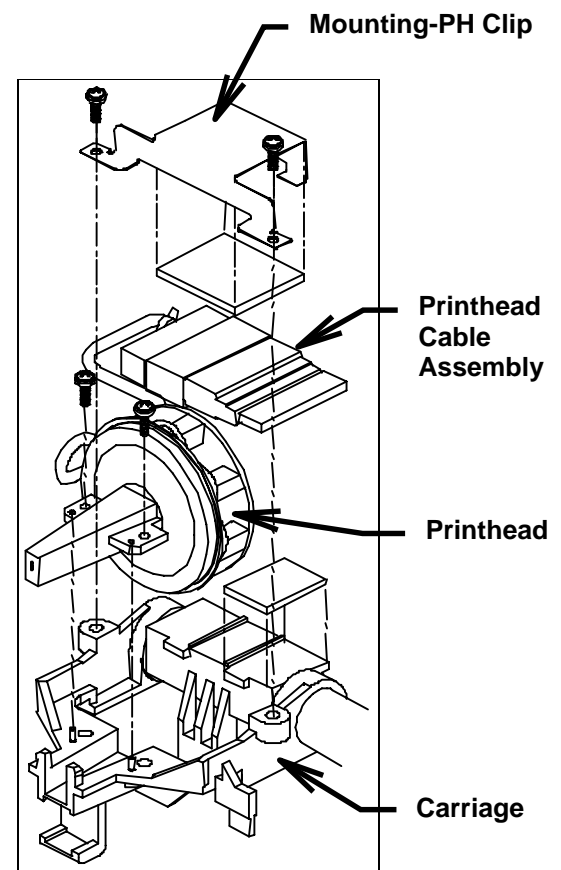


Figure 2