

TP2000 LOGIC/FW REPLACEMENT INSTRUCTIONS

Tools Required:

No.1 and No.2 Phillips screwdrivers
 Wrist strap (or similar device) for ESD grounding

To Replace the Logic/FW:

1. Verify that all replacement parts and tools are present.
2. Turn off the power switch, unplug the AC power cord, and disconnect all communication and interface cables.
3. **IMPORTANT: Properly ground yourself using an ESD wrist strap (or similar device) to prevent static discharge damage to the electronics.**
4. Remove two #6-32 Phillips screws from the Keyboard Interface Cover, located on the Enclosure Door (backside of printer) and remove cover.
5. Remove four #6-32 Phillips screws from the Keyboard Interface Assembly and disconnect it from the Main Controller Assembly and the RS232 Interface Cable.
6. Locate U6 IC PROM component on the Keyboard Interface Assembly and replace it with the updated version IC labeled U6.
7. Reconnect and Reassemble all parts previously removed on printer then remove two #8-32 Phillips screws from the Enclosure Door and carefully open the door until it stops at a horizontal position.
8. Locate U28 and U34 IC PROM components on the Main Controller Assembly and replace them with the updated version ICs labeled U28 and U34.
9. Close Enclosure Door and secure it with the two #8-32 screws from step 7.
10. Reconnect all communication and interface cables, plug in the AC power cord and turn on the power switch.
11. Verify proper functionality by printing a KSR self-test (*refer to the Operations and/or Maintenance Manuals if you need additional information*).

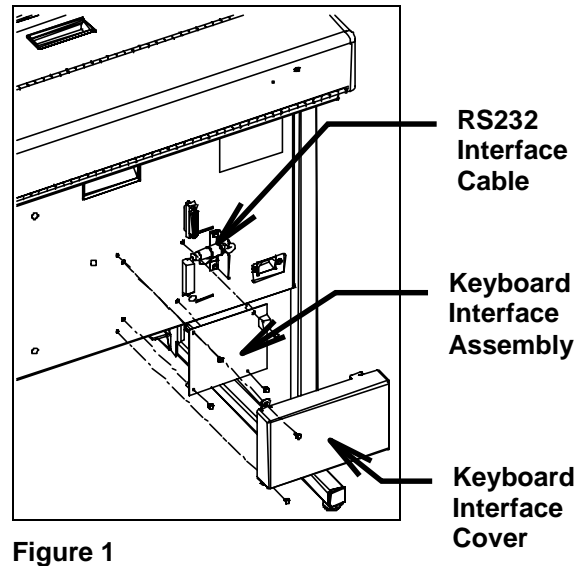


Figure 1

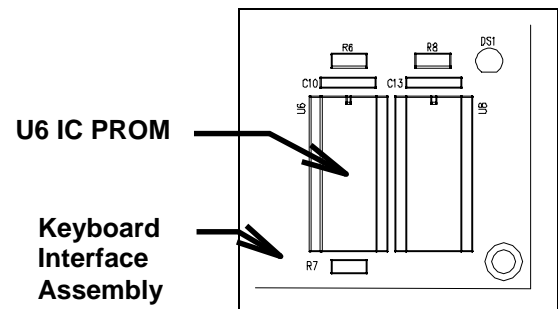


Figure 2

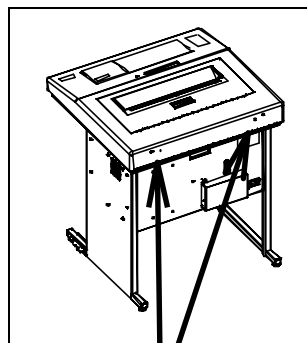


Figure 3

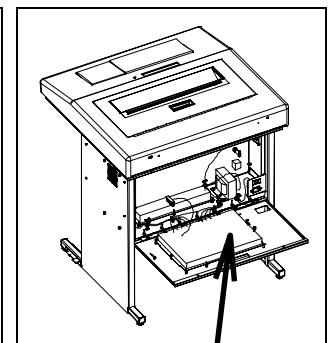


Figure 4

2 #8-32 Phillip screws
 Main Controller Assembly

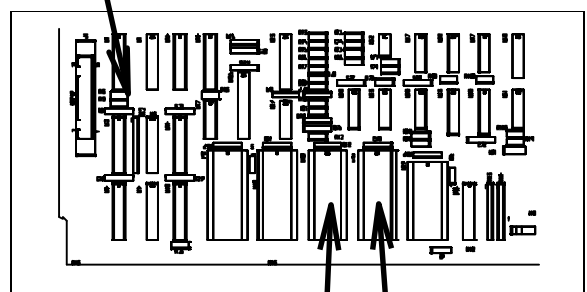


Figure 5

U28 IC PROM U34 IC PROM