

TP2000 KEYBOARD INTERFACE ASSEMBLY REPLACEMENT INSTRUCTIONS

Tools Required:

- No.1 Phillips screwdriver
- Wrist strap (or similar device) for ESD grounding

To Replace the Keyboard Interface Assembly:

1. Verify that all replacement parts and tools are present.
2. Turn off the power switch, unplug the AC power cord, and disconnect all communication and interface cables.
3. **IMPORTANT: Properly ground yourself using an ESD wrist strap (or similar device) to prevent static discharge damage to the electronics.**
4. Remove two #6-32 Phillips screws from the Keyboard Interface Cover, located on the Enclosure Door (backside of printer) and remove cover.
5. Remove four #6-32 Phillips screws from the Keyboard Interface Assembly.
6. Remove the Keyboard Interface Assembly from the Main Controller Assembly, and disconnect the RS232 Interface Cable from the Keyboard Interface Assembly.
7. Reconnect the new Keyboard Interface Assembly to the RS232 Interface Cable and the Main Controller Assembly, then assemble all parts previously removed on printer.
8. Reconnect all communication and interface cables, plug in the AC power cord and turn on the power switch.
9. Verify proper functionality by printing a KSR self-test (*refer to the Operations and/or Maintenance Manuals if you need additional information*).

2 #6-32 Phillips screws

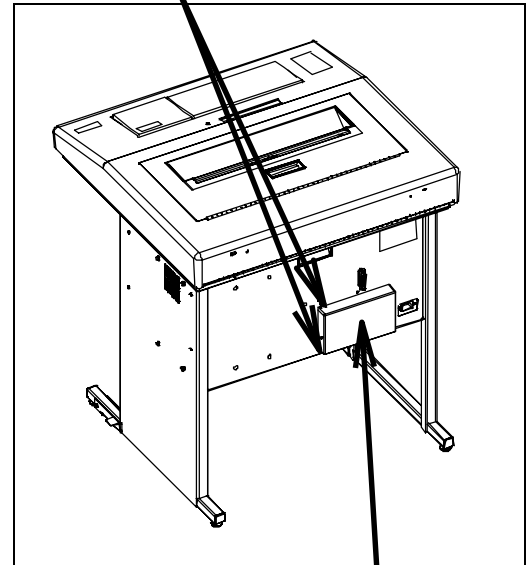


Figure 1

Keyboard Interface Cover

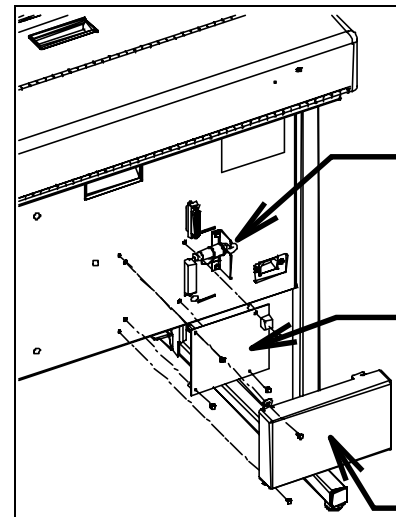


Figure 2

RS232 Interface Cable

Keyboard Interface Assembly

Keyboard Interface Cover