

TP2000 POWER SUPPLY REPLACEMENT INSTRUCTIONS

Tools Required:

No.2 Phillips screwdriver and Needle-Nose Pliers
Wrist strap (or similar device) for ESD grounding

To Replace the Power Supply:

1. Verify that all replacement parts and tools are present.
2. Turn off the power switch, unplug the AC power cord, and disconnect all communication and interface cables.
3. **IMPORTANT: Properly ground yourself using an ESD wrist strap (or similar device) to prevent static discharge damage to the electronics.**
4. Remove two #8-32 Phillips screws from the Enclosure Door and carefully open the door until it stops at a horizontal position.
5. Disconnect all cable assemblies from the Power Supply Assembly after noting where each cable is connected then carefully remove the Power Supply Assembly using needle-nose pliers to unlock the locking ramps on each Nylon Standoff.
6. Snap the new Power Supply Assembly on the six Nylon Standoffs and reconnect all cable assemblies where previously identified.
7. Close and secure the Enclosure Door with the two #8-32 screws from step 4.
8. Reconnect all communication and interface cables, plug in the AC power cord and turn on the power switch.
9. Verify proper functionality by printing a self-test (*refer to the Operations and/or Maintenance Manuals if you need additional information*).

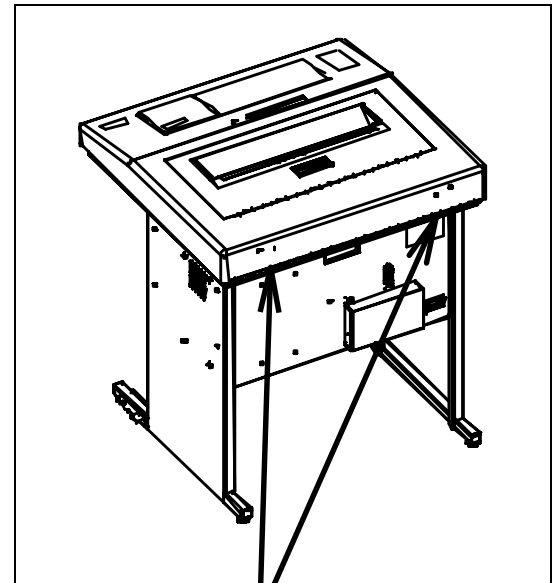


Figure 1 2 #8-32 Phillips screws

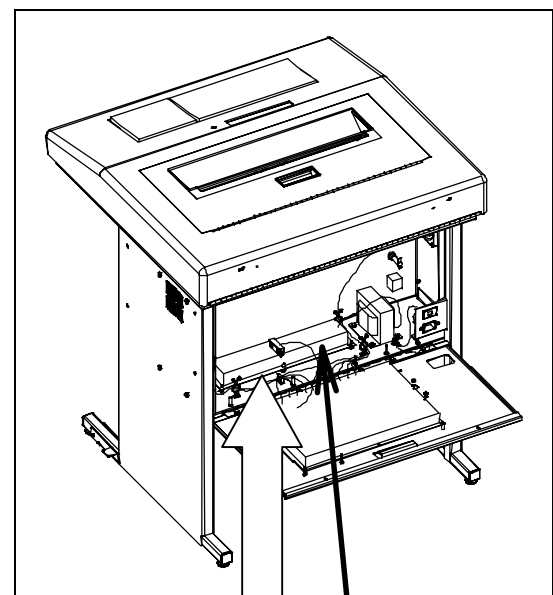


Figure 2 Power Supply Assembly

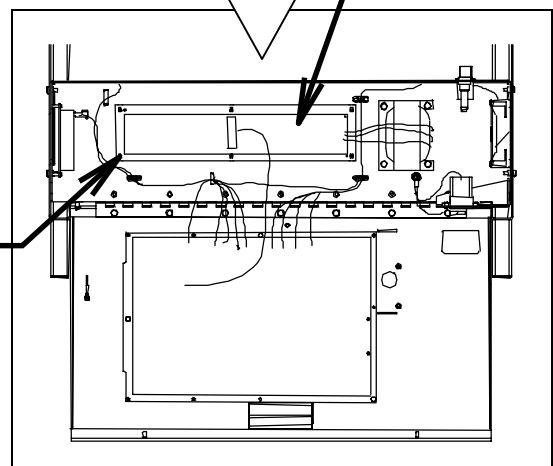


Figure 3 Nylon Standoff (6 places)