

TP2000 PAPER MOTOR ASSEMBLY REPLACEMENT INSTRUCTIONS

Tools Required:

No.2 Phillips screwdriver and 5/32" Hex-Key wrench
Wrist strap (or similar device) for ESD grounding

To Replace the Paper Motor Assembly:

1. Verify that all replacement parts and tools are present.
2. Turn off the power switch, unplug the AC power cord, and disconnect all communication and interface cables.
3. **IMPORTANT: Properly ground yourself using an ESD wrist strap (or similar device) to prevent static discharge damage to the electronics.**
4. Remove two #8-32 Phillips screws from the Enclosure Door (located on backside of printer) and carefully open the door until it stops at a horizontal position then disconnect J9 connector from the Main Controller Assembly.
5. Remove two #8-32 Phillips screws from the Top Cover, located in front on bottom side, then lift and lock the Cover in place by pushing down the Locking Hinge Bracket, located on the left and inside of Base Assembly.
6. Loosen two #8-32 Phillips screws and remove the Compression Spring on the Paper Belt Tension Bracket, located on the Right Endplate then shift the bracket up all the way and tighten the left #8-32 screw to release the tension on the Paper Drive Belt. Remove four 1/4-20 Button Head screws and the Paper Motor Assembly from the Right Endplate Assembly and the Paper Drive Belt. **IMPORTANT: Notice the routing of the Paper Motor cable prior to motor removal.**
7. Install the Paper Drive Belt over the pulley of the new Paper Motor Assembly and secure the new motor to the Right Endplate Assembly with the four 1/4-20 Button Head screws from step 6, reroute and connect the motor cable to J9 connector on the Main Controller Assembly.
8. Loosen the left #8-32 Phillips screw and install the Compression Spring on the Paper Belt Tension Bracket, then tighten the two #8-32 Phillips screws from step 6.
9. Close and secure the Enclosure Door with the two #8-32 Phillips screws from step 4.

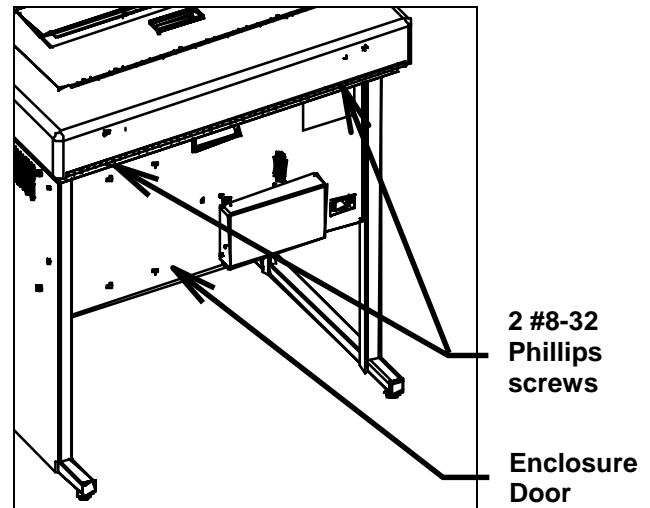


Figure 1

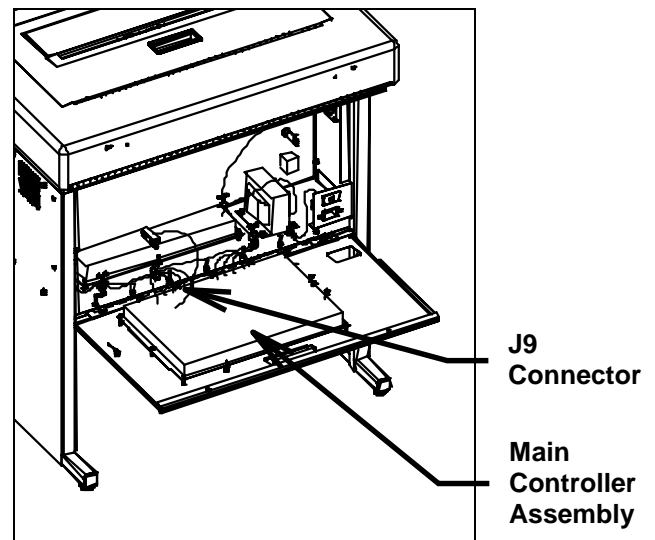


Figure 2

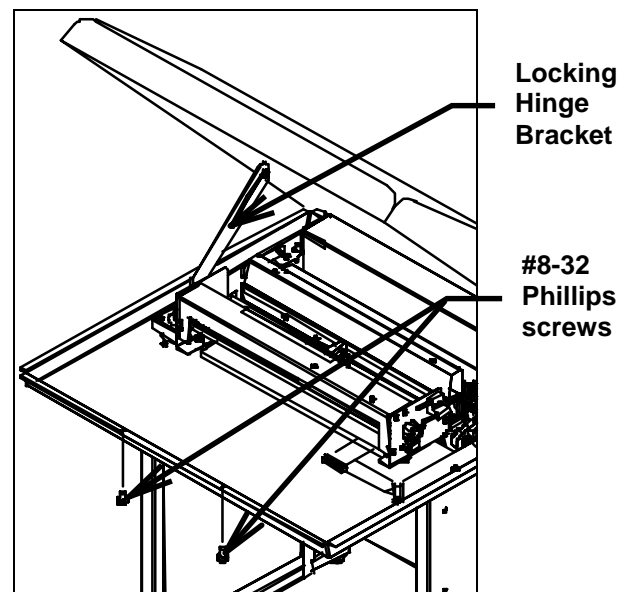


Figure 3

10. Unlock (pull up on the Locking Hinge Bracket) and close the Top Cover then secure with the two #8-32 Phillips screws from step 5.
11. Reconnect all communication and interface cables, plug in the AC power cord and turn on the power switch.
12. Verify proper functionality by printing a self-test (*refer to the Operations and/or Maintenance Manuals if you need additional information*).

