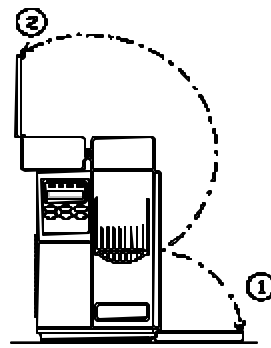
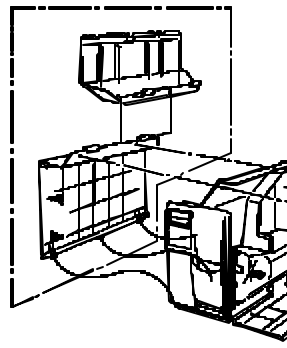
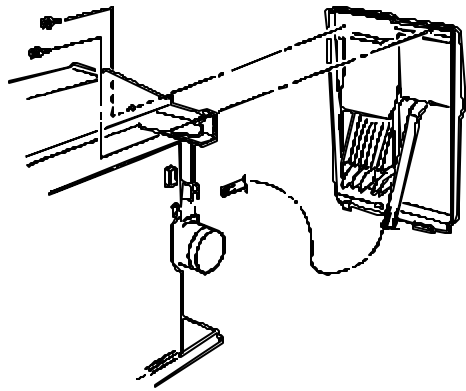


SIGMA DATA 7200 – MODIFICATIONS FOR EXPANDED OUTPUT BIN

To Expand the Output Bin of the Printer:

1. Turn off the power switch, unplug the AC power cord, and disconnect all communication and interface cables.

<ol style="list-style-type: none"> 2. (1) Unlock and open the Lower Right Side Cover then (2) open the Upper Right Side Cover completely, until it rest on the Service Cover (Fig.1). 3. Remove the Service Cover by removing the two M3 Phillips screws holding the Service Cover to the upper frame of the printer (Fig. 2). 	 <p>Fig. 1</p>	 <p>Fig. 2</p>
--	--	---

<ol style="list-style-type: none"> 4. Remove the Front Bezel by removing the two M3 Phillips screws holding the Front Bezel to the upper frame of the printer (Fig. 3). 5. Disconnect the Keypad Cable from the main electronics board and remove the Front Bezel. 	 <p>Fig. 3</p>
--	--

6. Create a rectangular window cutout in the Front Bezel to the dimensions shown below (Fig. 4), by removing the plastic ribbing. Use the existing surface of the (3) bottom tabs as a bottom datum and the insides of the existing window cutout as a side datum. **Note :** *Only a professionally trained machinist may perform this step. Failure to use a professionally trained machinist could result in personal injury.*

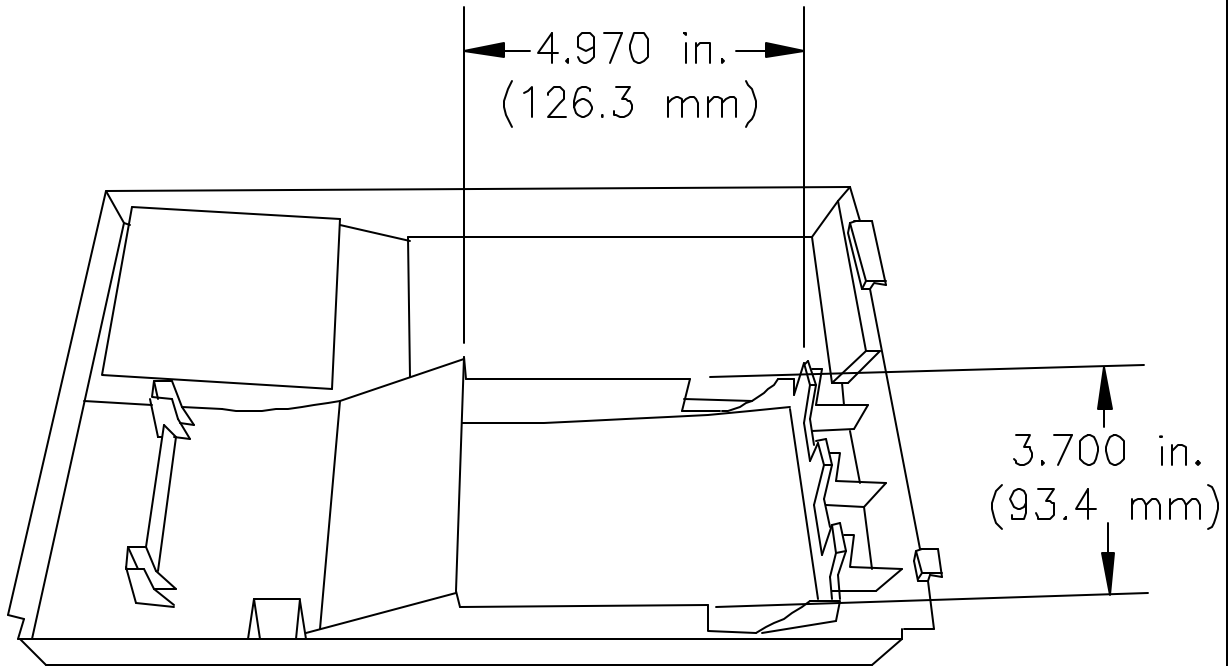


Fig. 4

7. Make the output throat flush with the surrounding black plastic surface by removing the beige plastic walls as shown below (Fig. 5). Do not allow any dust or chips to enter the machine at any time. Clean the area with a vacuum (not compressed air) before proceeding to the next step. **Note : Only a professionally trained machinist may perform this step. Failure to use a professionally trained machinist could result in personal injury.**

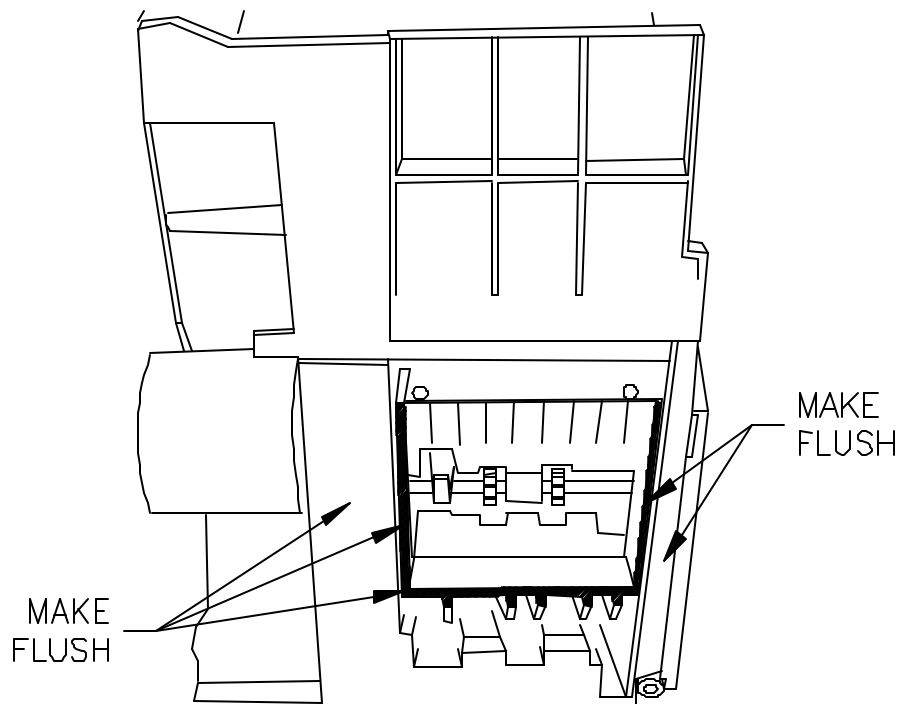


Fig. 5

8. Reassemble all parts previously removed in reverse order.
9. Close the Upper Right Side Cover then close and lock the Lower Right Side Cover.
10. Reconnect all communication and interface cables, plug-in the AC power cord and turn on the power switch.

- 11.** Slide the Expanded Output Bin fully underneath the unit (Fig. 6). *Note : Make sure feet under printer are aligned with the slots on the Output Bin and continue to slide until feet bottom out on slots. 'Squeeze in' the tall sides of metal Output Bin to allow it to fit inside the mouth of the front bezel.*

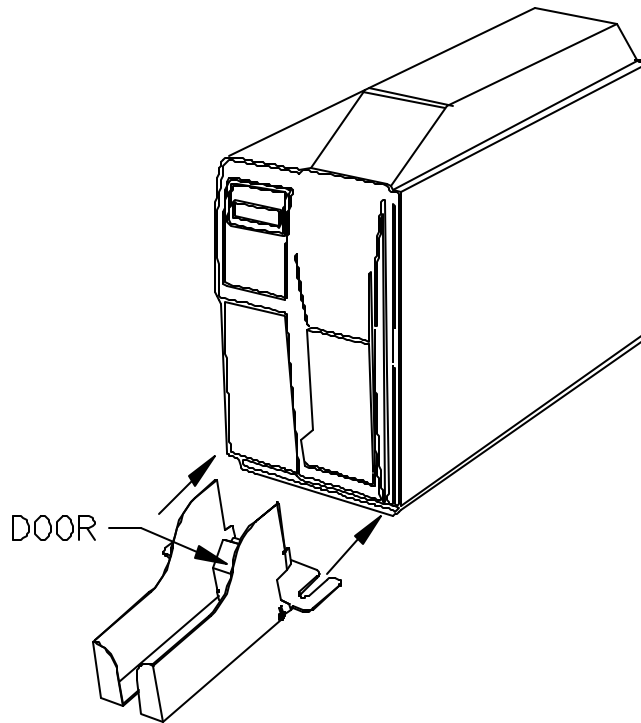


Fig. 6

- 12.** Rotate the Door to the UP position as shown (normal operation) to allow coupons to exit and stack properly. Verify proper functionality by printing several test coupons (*refer to the Operations and/or Maintenance Manuals if you need additional information*).
- 13.** Rotate the Door to the DOWN position if access to the revalidation slot is ever needed. After the revalidation coupon exits, rotate the Door back to the UP position.

Final Assembly:

