

Quick Installation Guide

Direct and Transfer Thermal Printer

Overview

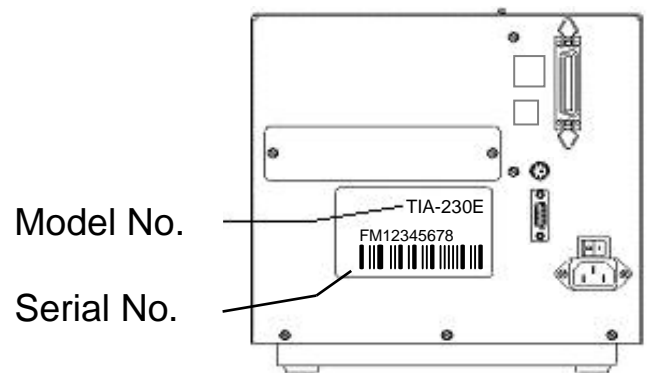
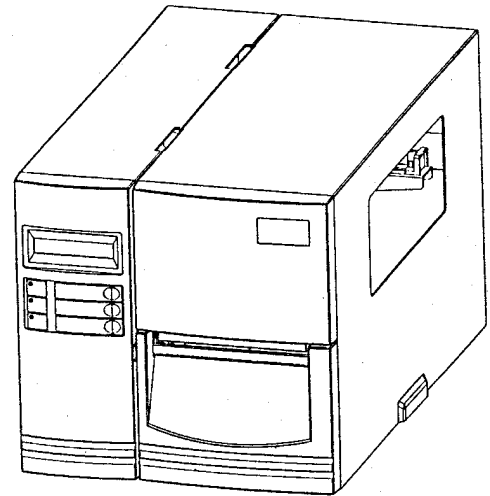
The enclosed printer is currently comprised of two models:

- 203dpi (dots per inch) model
- 300dpi (dots per inch) model

Unpacking

1. Remove top foam packing piece.
2. Lift printer straight up out of box.
3. Remove accessory kit and supplies.
4. Remove printer from plastic bag.

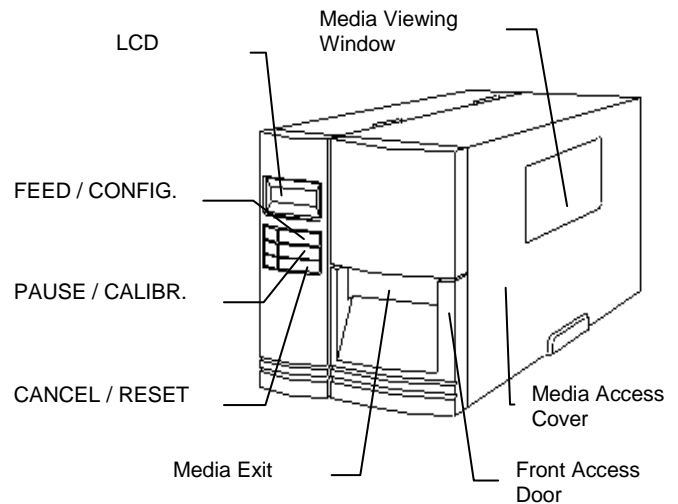
NOTE: Save box and all packing materials for future use in the event the printer needs to be shipped.



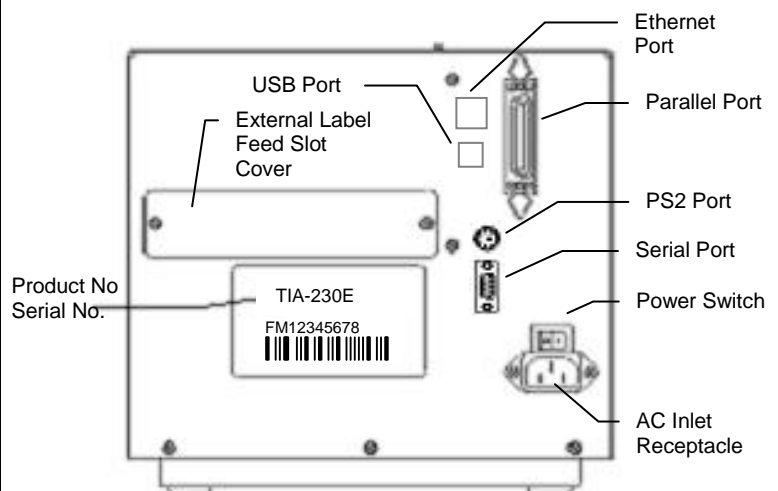
Installation

1. Determine a suitable location for the printer with the following requirements:
 - Flat stable surface with sufficient clearance to allow for interface cables and media loading.
 - Free from excessive direct sunlight, temperature, humidity, dust, dirt, and debris.
 - Near a grounded AC power receptacle wired in compliance with local ordinances.
2. Ensure printer **Power Switch** is off "0".
3. Connect the power cord to the **AC Inlet Receptacle** located on the back of the printer.
4. Connect AC power plug to a suitable AC source.
5. Connect a suitable interface cable (i.e. Parallel, Serial, USB or Ethernet).

NOTE: The default serial interface parameters are: 9600, 8 data bits, 1 stop bit, XON/XOFF and RTS/CTS.



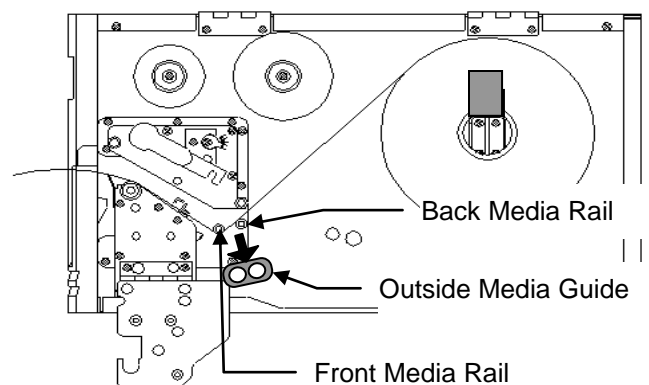
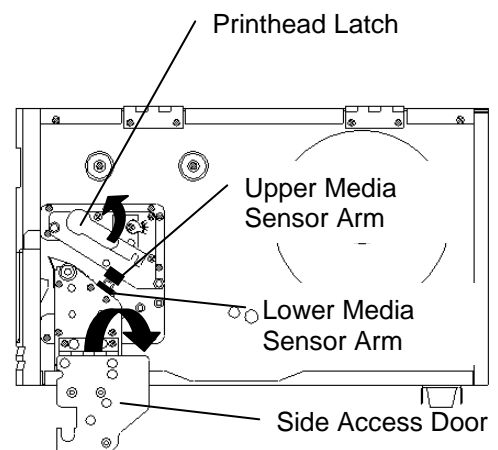
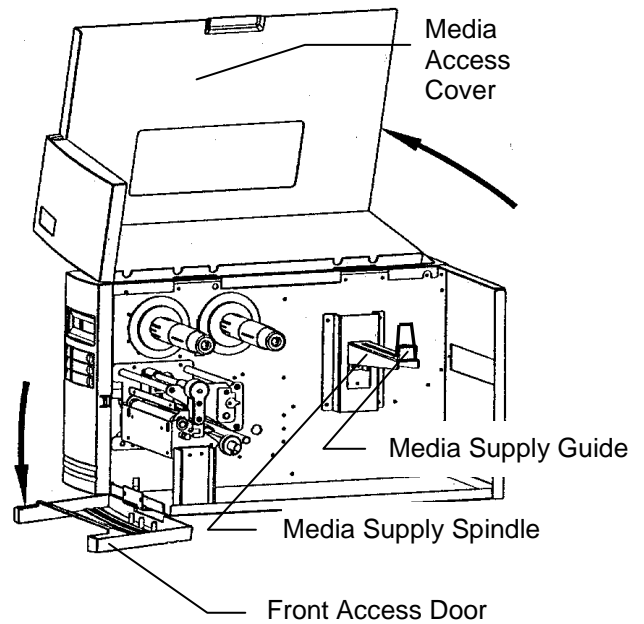
Front View



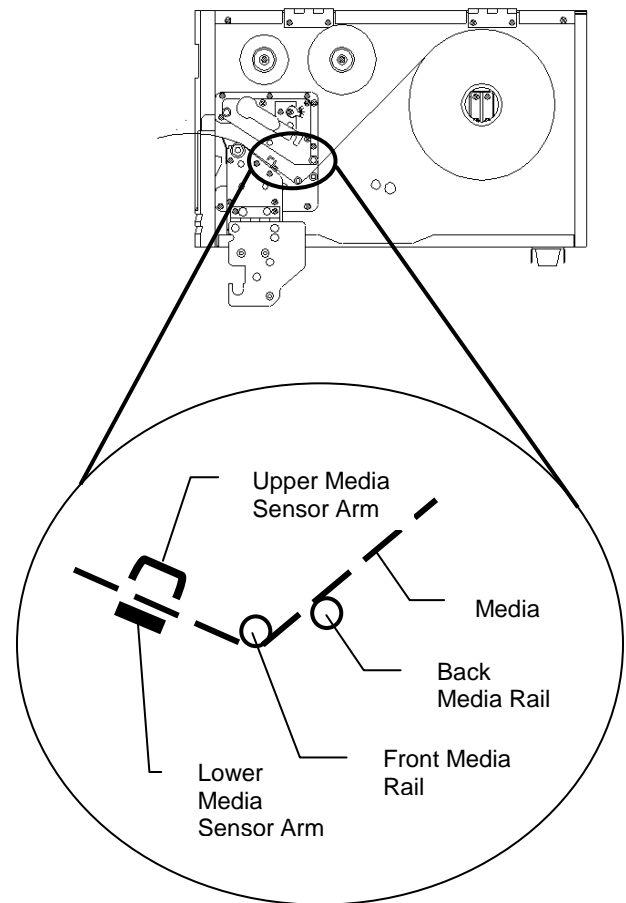
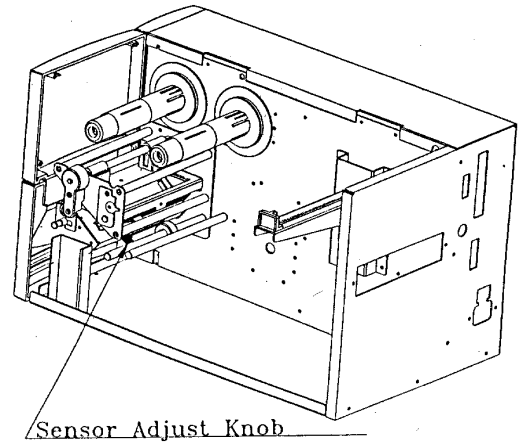
Back View

Loading Media

1. Fully open **Media Access Cover**.
2. Open the **Front Access Door** by rotating down.
3. Rotate the green **Printhead Latch** counterclockwise to open the printhead.
4. Rotate the **Side Access Door** down to allow the media to be loaded under the printhead module.
5. Pull down to unlock and slide the **Media Supply Guide** to the full widest/open position.
6. Ensure the media is face up with the labels feeding from the top of the roll. (If not, obtain correctly wound media from your supplier).
7. Place the media roll on the **Media Supply Spindle**.
8. Slide the roll fully towards the center of the printer.
9. Slide the **Media Supply Guide** towards the center of the printer, until it is snug against the media. Left up to lock in place.
10. Rotate the green **Outside Media Guide** counter clockwise off the front rail.
11. Thread the media over the **Back Media Rail** and under the **Front Media Rail**.
12. Continue feeding the media through the black **Upper** and **Lower Media Sensor Arms** located under the print module.
13. Rotate clockwise the **Outside Media Guide** to original position.
14. Slide the **Outside Media Guide** towards the center of the printer until it just touches, but does not buckle, the media.



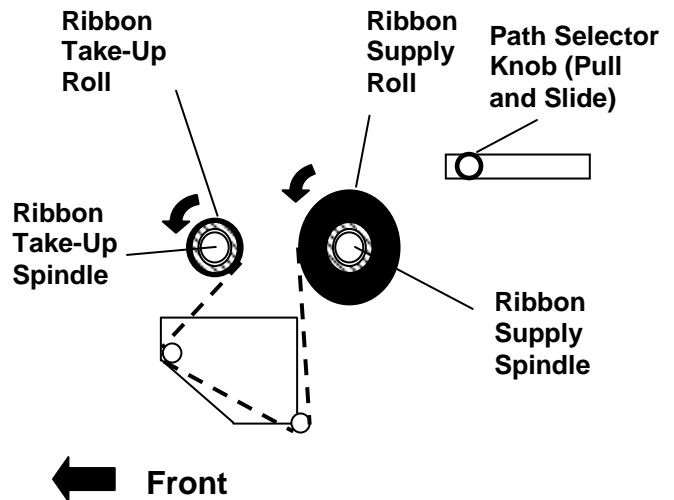
15. Grasping the **Sensor Adjust Knob** and sliding it in or out as needed can move the **Media Sensor**. This is required only if the sensor must be moved to a specific location on the label to detect a notch (hole) or gap.
16. **IMPORTANT:** To ensure proper media feeding and sensor operation, complete the following checklist:
 - ❑ Media is wound face (print side) out and feeding off the top of the roll.
 - ❑ Media is routed exactly as shown over the **Back Media Rail** and under the **Front Media Rail**.
 - ❑ Media is routed between the **Upper** and **Lower Media Sensor Arms** located under print module.
 - ❑ The green **Outside Media Guide** has been re-installed.
 - ❑ If required, the **Media Sensor** is adjusted directly over the notch (hole) or gap.
17. If Thermal Transfer Media requiring a ribbon is being used, skip to the next section **Loading Ribbon** otherwise continue with step 18 below.
18. Rotate the **Side Access Door** up to close.
19. Rotate the green **Print Head Latch** clockwise fully to lock the printhead and **Side Access Door** shut.
20. **IMPORTANT:** Skip to the section **Calibrating Media Sensors**.



Media Routing

Loading Ribbon

1. If needed, follow steps 1-4 under Loading Media section.
2. Unwrap the ribbon and place the **Ribbon Supply Roll** on the **Ribbon Supply Spindle** located towards back of printer.
3. Place the **Ribbon Take-up** core on the **Ribbon Take-Up Spindle** located towards the front of the printer.
4. Slide both cores completely towards the center of the printer.
5. Route the ribbon under the print mechanism.
6. **Important: Route ribbon under and around back of Ribbon Take-Up Core** before attaching with tape or adhesive leader.
7. Tighten ribbon by manually rotating the Take-up Core counterclockwise.
8. **IMPORTANT:** To ensure proper ribbon operation complete the following checklist:
 - ❑ Ribbon is wound ink in and feeding off the top of the **Ribbon Supply Roll**.
 - ❑ Ribbon is re-wound on **Take Up Roll** from the bottom.
 - ❑ Ribbon is routed above the **Upper Media Sensor Arm**. Only the media should be below this arm.
 - ❑ See decal on access cover for routing paths.
9. **IMPORTANT:** Proceed to the next section Calibrating Media Sensors.



Ribbon Routing Inside Example

Calibrating Media Sensors

Important: The first time media is installed, the Media Sensors must be calibrated. After the first calibration no further calibration is required unless the media type (length, color, backing material, etc.) is changed or irregular feeding occurs.

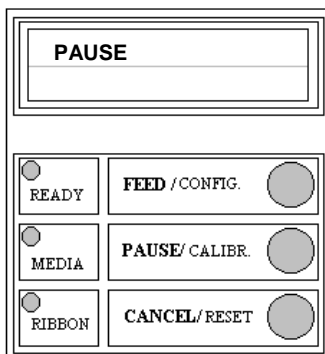
1. Ensure the printer is powered off.
2. Load media as described in Loading Media Instructions.
3. While pressing and **holding** the **PAUSE/CALIBR.** button, power on the printer. The READY light will blink 20 times.
4. When the label begins to feed, release the **PAUSE/CALIBR.** button.
5. **NOTE:** "**CALIBRATION**" will be displayed on the LCD.
6. Approximately 12 inches of media will be fed.
7. When feeding stops, the printhead can be opened and the media may be manually reversed back to the first label to save label stock. Press the **FEED** key to re-align.

Installing Windows Drivers

Windows drivers are included with each printer on CD. Run the printer installation setup, as required for the version Windows you are using.

Setting Printer Features

- Press **PAUSE**, verify mode on LCD display.
- Press **FEED** and **PAUSE** at the same time to enter setup mode.
- Press and hold **FEED**, use **CANCEL** to scroll through the list of features.
- Press **CANCEL** to select desired feature.
- Press and hold **FEED**, use **CANCEL** to scroll through the list of values for that feature.
- Press **CANCEL** to save the currently displayed value.
- Press **PAUSE** twice to exit setup mode and READY the printer.



User Selectable Features

NOTE: Features are subject to change depending on printer model.

Feature	Description
Print Mode	Direct Thermal Thermal Transfer
Auto Calibrate Mode	Mode 1~4
Cut/Peel Offset	-015 ~+.050
TPH Vertical Offset	-.003~+.003
Recover Print	Enable Disable
Cutter Installed	Yes No
Peeler Installed	Yes No
Counting	Up Down
Media Sensor Type	Gap Black Bar
Present Distance	0~040
ABS Darkness	0~030
Trim Darkness	-030~+030
Baud Rate	600~1200~2400~4800 ~9600~19200~None
Parity (RS232)	None Even Odd
Length	7 Data Bits 8 Data Bits
Clear Flash	Yes No
DHCP	Enable Disable
NOTE: To manually set Internal Ethernet addresses, change DHCP to "DISABLE".	
IP Address	###.###.###.###
Subnet Mask	###.###.###.###
Default Gateway	###.###.###.###
Mac Address	#####.#####