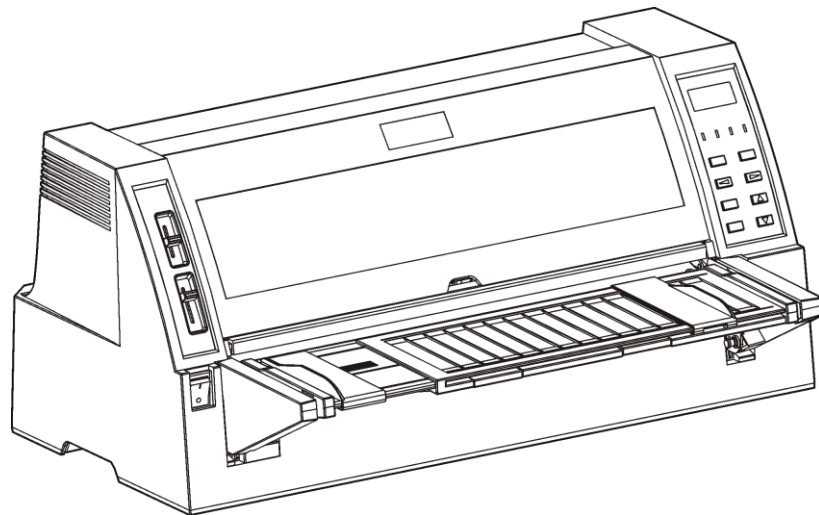




Accel-7450

24-Pin Dot Matrix Printer

Firmware Upgrade Guide

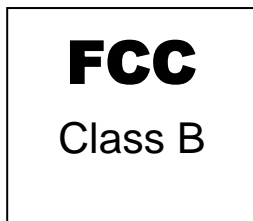


Copyright Declaration

Information in this guide is subject to change without notice and does not represent a commitment on the part of AMT Datasouth Corporation. No part of this document may be reproduced or transmitted in any form by any means, for any purpose other than the purchaser's personal use, without the expressed written permission of AMT Datasouth Corporation.

For detail service and repair instructions the ACCEL 7450 Service Guide is available for purchase

Regulatory Statement:



This device complies with Part 15 of the FCC Rules. Operation is subject to the following two conditions:

(1) This device may not cause harmful interference, and (2) this device must accept any interference received, including interference that may cause undesired operation.

The manufacturer is not responsible for any radio or TV interference caused by unauthorized modifications to this equipment. Such modifications could void the user's authority to operate the equipment.



16PU
NWGQ
E247562
120VAC ~ 60Hz ~ 2.3A

Table of Contents

- Safety 1
- Firmware Upgrade..... 3
- Control Panel 5
 - Control Panel Key Functions..... 5
 - Calibration 5
 - Initialization #1 6
 - Initialization #2 (Cut-sheet) 6
 - Initialization #2 (Tractor) 7

SAFETY

This GUIDE is to help qualified service technicians repair or adjust your ACCEL-7450 printer.

Please read the guide carefully before repairing and making adjustments to your printer.

The warranty will not cover any trouble with or damage to the printer resulting from repair or modification by unqualified persons.

Operational safety



CAUTION

- Do not touch the print head immediately after printing because it is too hot.
- Do not put your finger under the tractor cover while loading fanfold paper.
- Do not put your finger on the tractor gear, when using the rear tractor.

Cautions in setting up



CAUTION

- Unpack the printer. Make sure that the printer body and all accessories are included in the package and no parts are damaged.
- Place the printer on a rigid, horizontal base in a location that is free of vibration.
- Do not use the printer in a location exposed to direct sunlight or close to a heater or other heat generating equipment.
- Before connecting or disconnecting the interface cable, be sure to turn off the printer.
- Do not use the printer in a dusty location or any location subject to sudden changes in temperature and humidity.
- Do not connect the printer to a non-standard power source.
- Never try to print without a ribbon cassette installed and paper loaded.
- Rear Operating Clearance**
 - Fanfold Paper: 2" plus Paper Length
 - Manual Cut Sheets: Paper Length Minus 9"
- Take care not to twist the ribbon while installing the ribbon cassette.
- If the case or cover becomes dirty, clean it with a soft cloth moistened with a small quantity of neutral detergent diluted with water. Never use a hard cloth or volatile solvent such as alcohol, thinner, or benzene.
- Push the lock levers of both tractors to the LOCK positions firmly when loading fanfold paper.
- Do not turn off the printer during printing, as this may lead to a malfunction.

FIRMWARE UPGRADE

Scope:

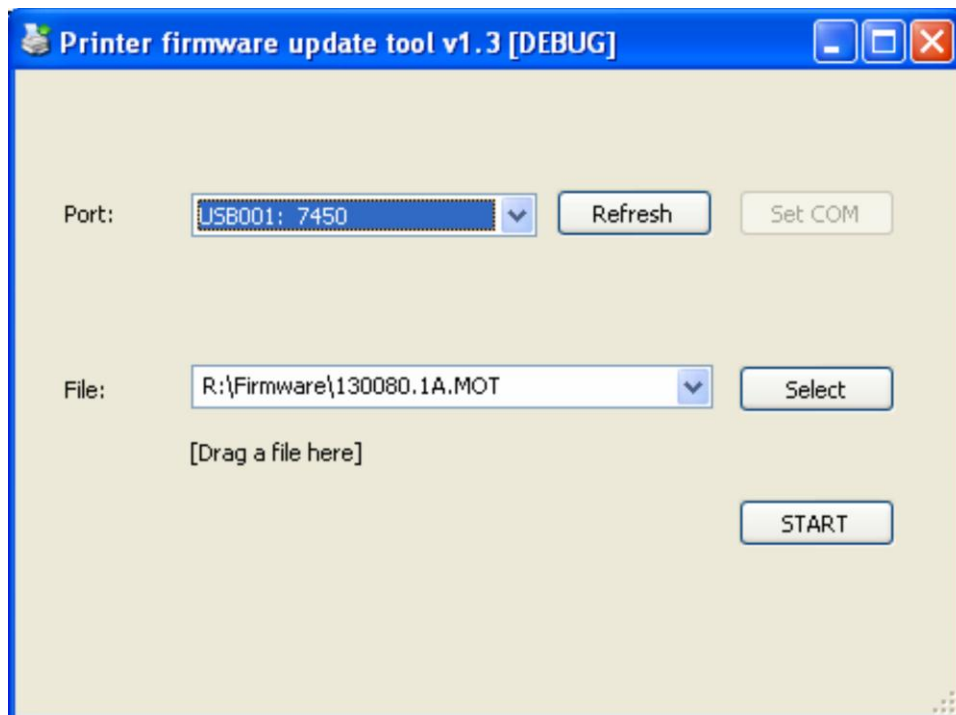
This procedure describes the required steps in flashing 7450 printer firmware utilizing “Printer Update” utility.

Required materials:

- ❖ PC with Windows OS
- ❖ Printer Update Utility

Procedure:

1. Attach 7450 printer via USB cable to a Windows PC or laptop.
2. Power ON the printer.
3. Verify printer menu item #27, INTERFACE is set to “AUTO”, or “USB”.
4. Install “Printer Update Utility” on the PC. The utility software can be download from: <http://www.amtdatasouth.com/support-1/downloads/software/>
5. If any Windows hardware wizard pops up, click CANCEL.
6. Start the Update Utility.
7. Scroll down the port section to find the 7450 USB port.
8. Drag the firmware file to the file box, or use SELECT button to browse.



9. Click START, the four LED lights will flash and then blink in sequence. The printer will reset and return to a READY state when the flash process is complete.
10. Last, you must complete the calibration INIT1, and INIT2 procedures. Refer to pages 5 through 7 for instructions.

Main Printed Circuit Board Replacement

The additional restoration steps are required when replacing the main PCBA and flashing new firmware:

11. Update user settings from previous printer. Menu Item #46 "MENU LISTING" can be used to print settings.
12. Perform HA GAP alignment. Refer to 7450 Service Guide for instructions.
13. Perform Print registration procedures. Refer to 7450 Service Guide for instructions.
14. Reset Cut-sheet pinch roller tension; 500 Front, 250 Rear. Refer to Service Guide for instructions.
15. Flash PRN file in addition to firmware.

END OF PROCEDURE

CONTROL PANEL

The liquid crystal display (LCD) on the control panel displays the current printer status, user messages and menu functions.

Control Panel Key Functions



Calibration

INITIALIZATION #1 (No Paper)	Power-up while pressing HIGH IMPACT + LF keys together. LCD will display INITIALIZING... EEPROM INITIAL 1. User settings are restored.
INITIALIZATION #2 (Cut-sheet)	Power-up while pressing SPEED + TEAR OFF keys together. LCD will display INITIALIZING... EEPROM INITIAL 2 / Cut Sheet. Sensor threshold settings are set.
INITIALIZATION #2 (Tractor)	Power-up while pressing ONLINE + EJECT/LOAD keys together. LCD will display INITIALIZING... EEPROM INITIAL 2 / Tractor. Tractor sensor threshold setting is set.

Initialization #1

Scope:

This function is used to restore feature USER default settings stored in memory.

Procedure:

1. With the printer power turned OFF and no paper loaded, press and hold the HIGH IMPACT and LF keys while turning ON the printer power switch. Hold keys until printer initialization (carriage movement) is completed. The LCD display will read "EEPROM INITIAL 1".
2. The initialization process is completed when the printer returns to a READY state.

END OF PROCEDURE



Initialization #2 (Cut-sheet)

Scope:

This function is used to calibrate and set Cut-sheet media sensor thresholds.

- Right/left edge sensors
- Manual feed paper sensor
- Reference pulse for skew detection

Procedure:

1. Select control panel **AUTO** print gap, and Cut Sheet  modes.
2. With the printer power turned OFF and no paper loaded, press and hold the SPEED and TEAR OFF keys while turning ON the printer power switch. Hold keys until printer initialization (carriage movement) is completed. The LCD display will read "EEPROM INITIAL 2, CUT SHEET MODE".
3. Load a cut-sheet paper landscape () into the printer. The paper will feed into the printer in three different positions comparing open and closed sensor readings to set the appropriate edge detect and media in/out thresholds. **NOTE: failure to load the paper in a landscape orientation will cause "PAPER EDGE SENSOR ERROR" and incorrect threshold settings.**
4. The initialization process is completed when the printer returns to a READY state.


END OF PROCEDURE

Initialization #2 (Tractor)

Scope:

This function is used to calibrate and set rear tractor media sensor thresholds.

Procedure:

1. Select control panel **AUTO** print gap, and Tractor  modes.
2. With the printer power turned OFF and no paper loaded, press and hold the ONLINE and EJECT/LOAD keys while turning ON the printer power switch. Hold keys until printer initialization (carriage movement) is completed. The LCD display will read "EEPROM INITIAL 2, TRACTOR MODE".
3. The paper will feed into the printer comparing open and closed tractor sensor readings to set the appropriate media in/out thresholds.
4. The initialization process is completed when the printer returns to a READY state.

END OF PROCEDURE

AMT Datasouth Corporation

www.amtdatasouth.com

Corporate Headquarters

803 Camarillo Springs Rd. Suite D
Camarillo, CA 93012
800-215-9192 PH
(805) 389-3657 FX

Charlotte Operations

5033 Sirona Dr., Suite 800
Charlotte, NC 28273
800-476-2120 PH
(704) 525-6104 FX
Service: extension #252