

## Appendix

## C

## Illustrated Part Lists

These tables and diagrams help you identify parts while performing replacement or repair procedures.

<i>Table/Figure</i>	<i>Assembly Description</i>
C-1	External components
C-2	Control panel
C-3	Top case
C-4	Power and main printed circuit board
C-5	Bottom case
C-6	Chassis, top
C-7	Chassis, bottom
C-8	Chassis, left
C-9	Chassis, left-shafts, tractors and motors
C-10	Chassis, right
C-11	Chassis, right-shafts, cable and belt
C-12	Platen
C-13	Paper guides
C-14	Ribbon platform
C-15	Ribbon drive mechanism
C-16	Carrier with printhead and ribbon lift motor
C-17	Carrier with printed circuit board, sensor and solenoid
C-18	Carrier
C-19	Powered, bottom-feed stand
C-20	Powered, bottom-feed housing
C-21	Powered, bottom-feed mechanism

## External Components

Table C-1. External Components

Item	Part Number	Quantity	Description	Spare
1	<i>Varies</i> 384005 384028	1	Guide, output 6310 (narrow carriage) 6350 (wide carriage)	✓
2	<i>Varies</i> 384004 384027	1	Window, viewing 6310 (narrow carriage) 6350 (wide carriage)	✓
3	<i>Varies</i> 384002 384025	1	Cover, top access 6310 (narrow carriage) 6350 (wide carriage)	
4	<i>Varies</i> 385019 385020	1	Damper, top access 6310 (narrow carriage) 6350 (wide carriage)	
5	<i>Varies</i> 385028 385030	1	Acoustic foam, top access 6310 (narrow carriage) 6350 (wide carriage)	
6	845107-008	1.13"	Tape, 2-sided foam, 0.25 THK, .5W	
7	840203-000	1	Magnet	
8	384015	1 or 2	Support, cut-sheet (wide-carriage has two)	✓
9	382011	2	Pin, paper guide	
10	385016	2	Spring, paper guide	
11	384010	2	Clip, paper tray	
12	384008	1	Guide, paper-left	
13	384009	1	Guide, paper-right	
14	<i>Varies</i> 384006 384029	1	Tray, paper 6310 (narrow carriage) 6350 (wide carriage)	✓
15	<i>Varies</i> 384007 384030	1	Panel, sound 6310 (narrow carriage) 6350 (wide carriage)	✓
16	384012	1	Cover, Intelli-card access	✓
17	<i>Varies</i> 384003 384026	1	Cover, rear access 6310 (narrow carriage) 6350 (wide carriage)	✓
18	385002-xxx	1	Decal, model number (e.g., -001 is 6310; -005 is 6350)	
<i>Assemblies</i>				
	<i>Varies</i> 381011-010 381011-020		Assembly, top access (items 3 through 7) 6310 (narrow carriage) 6350 (wide carriage)	✓
	<i>Varies</i> 381009-010 381009-020		Assembly, paper tray/sound panel (items 9 through 15) 6310 (narrow carriage) 6350 (wide carriage)	✓
	381000		Assembly, paper guide-left (items 9, 10, 11 and 12)	✓
	381001		Assembly, paper guide-right (items 9, 10, 11 and 13)	✓
	381012		Assembly, magnet/cover open (items 6 and 7)	✓

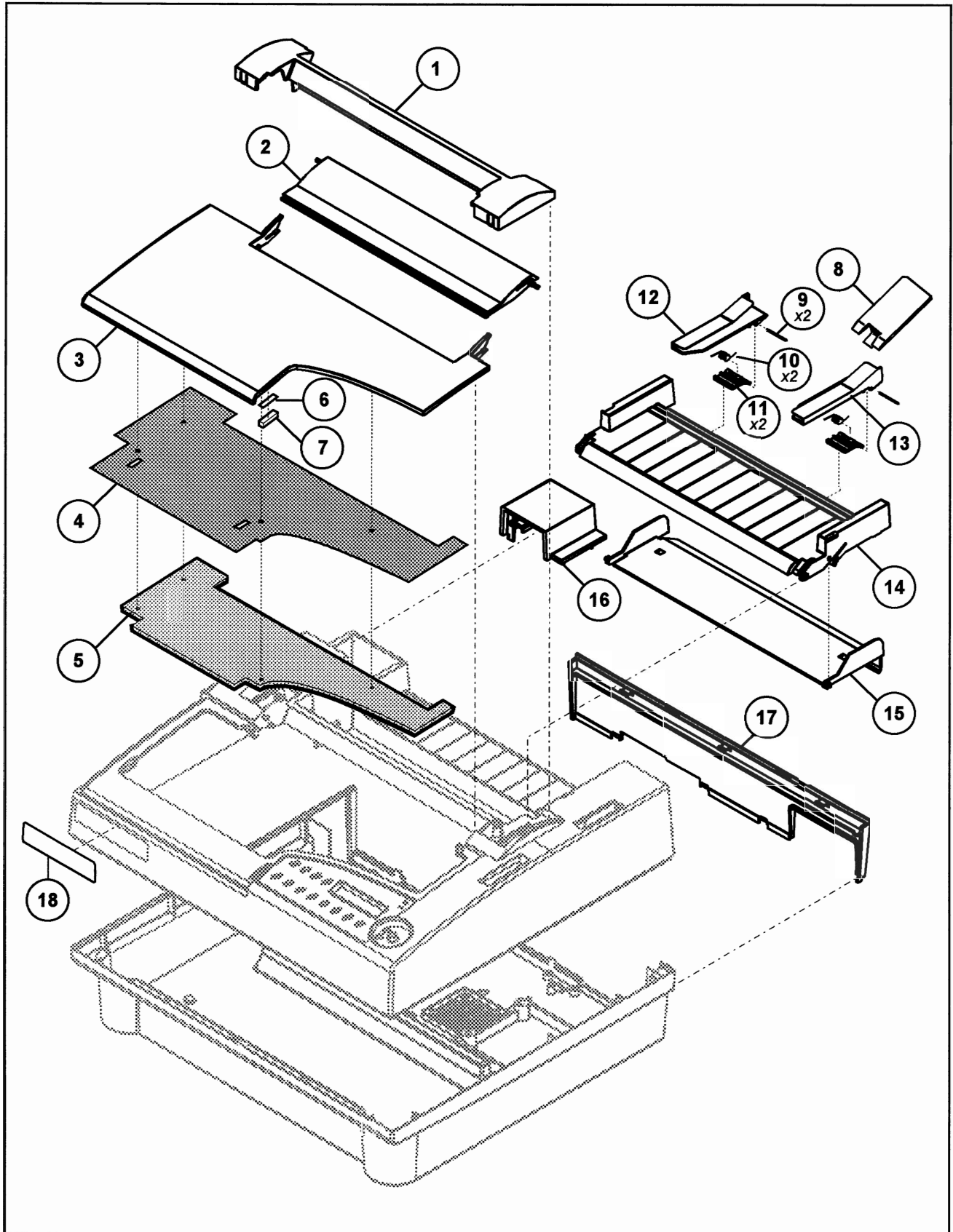


Figure C-1. External Components

## Control Panel

Table C-2. Control Panel

<i>Item</i>	<i>Part Number</i>	<i>Quantity</i>	<i>Description</i>	<i>Spare</i>
1	<i>Varies</i> 381003-010 381003-020	1	Assembly, top enclosure 6310 (narrow carriage) 6350 (wide carriage)	✓
2	385001	1	Decal, operator's	✓
3	384011	1	Dial, control panel	
4	335040	1	Decal, dial timing	
5	865330-009	1	Washer	
6	865202-004	1	Washer, crescent spring	
7	872110-001	1	Push ring, 3/32	
8	384032	1	Keypad, control panel	✓
9	386000	1	Assembly, PCB, control panel	✓
10	857620-005	4	Screw, 6-20x5/16, Phillips pan-head, self-tapping, BT	
11	336141	1	Subassembly, ground strap, control panel	✓
<i>Assemblies</i>				
	381015		Assembly, control panel dial (items 3 and 4)	✓

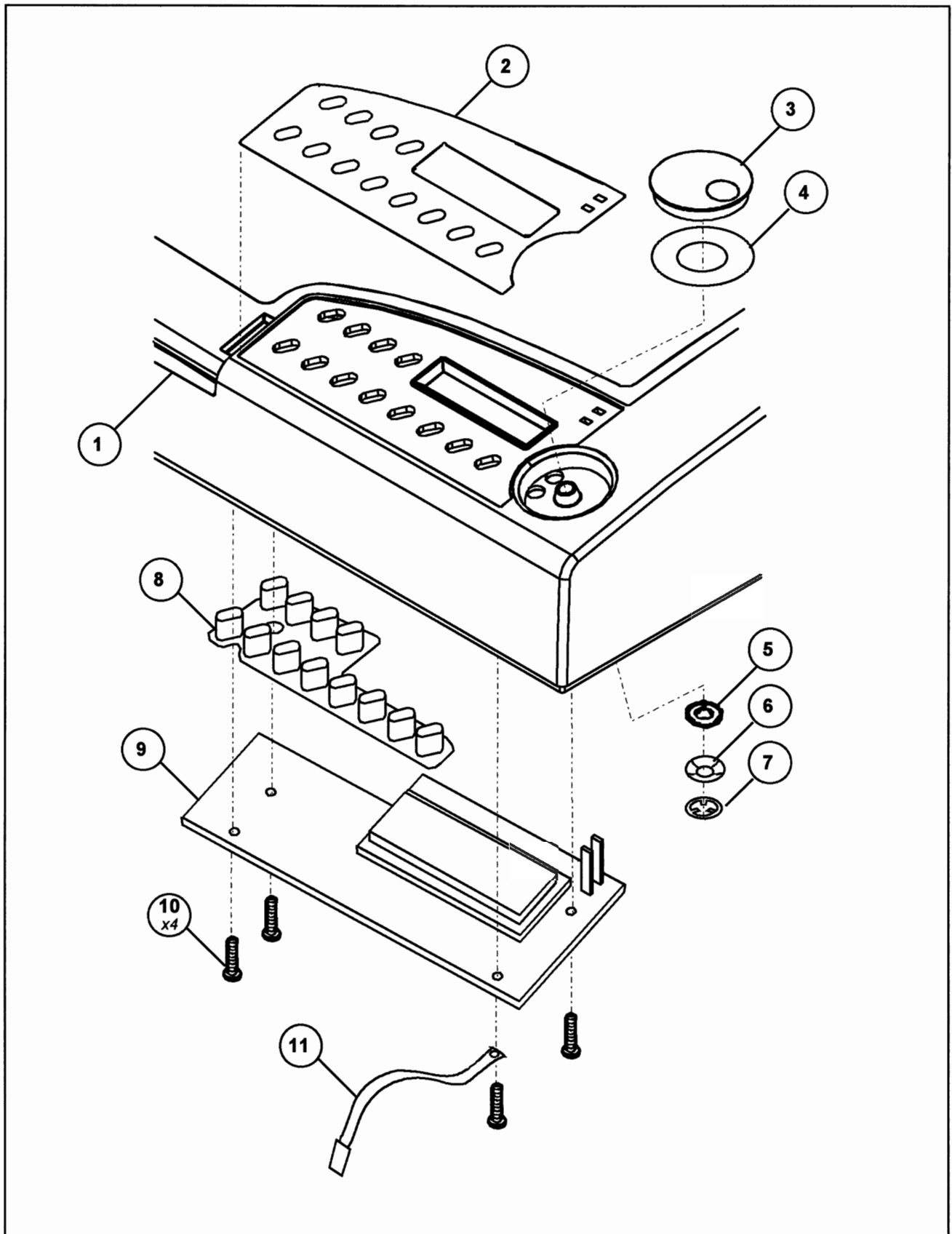


Figure C-2. Control Panel

Top Case

Table C-3. Top Case

Item	Part Number	Quantity	Description	Spare
1	<i>Varies</i> 384001 384024	1	Enclosure, top 6310 (narrow carriage) 6350 (wide carriage)	
2	384014	2	Window, indicator well	
3	382022	2	Well, top enclosure	
4	384031	4	Extender, enclosure mating	
5	385023	1	Control panel, grounding foil	
6	<i>Varies</i> 385010 385011	1	Scale 6310 (narrow carriage) 6350 (wide carriage)	✓
7	<i>Varies</i> 385017 385018	1	Acoustic foam set, top enclosure 6310 (narrow carriage) 6350 (wide carriage)	
<i>Assemblies</i>				
	<i>Varies</i> 381004-010 381004-020		Subassembly, top enclosure (items 1, 2 and 3) 6310 (narrow carriage) 6350 (wide carriage)	
	<i>Varies</i> 381003-010 381003-020		Assembly, top enclosure (all items) 6310 (narrow carriage) 6350 (wide carriage)	✓
	<i>Varies</i> 381046-010 381046-020		Top enclosure (all items <i>plus</i> all items from table C-2) 6310 (narrow carriage) 6350 (wide carriage)	

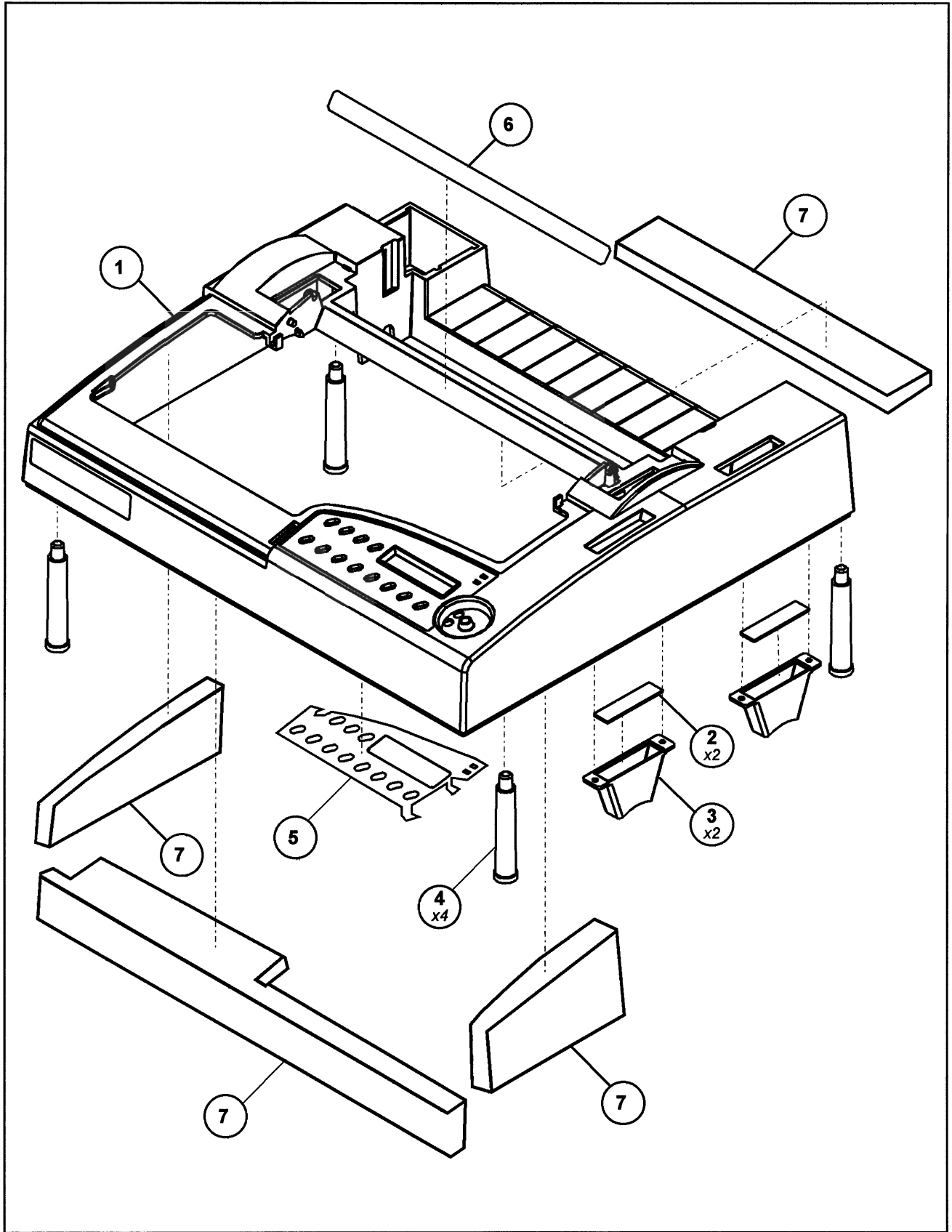


Figure C-3. Top Case

## Power and Main Printed Circuit Board

Table C-4. Power and Main Printed Circuit Board

Item	Part Number	Quantity	Description	Spare
1	852440-004	6	Screw, #4-40 x 3/16, Phillips pan-head, zinc-plated steel	
2	303077	1	Shield, electro-magnetic interference, main printed circuit board (PCB)	
3	865340-010	2	Washer, lock, external star, #10	
4	865100-004	4	Washer, flat, #4, zinc-plated steel	
5	865150-004	7	Washer, split-lock, #4, zinc-plated steel	
6	366030-002	1	Main printed circuit board	✓
7	852A24-012	4	Screw, 10-24 x 3/4, Phillips pan-head, zinc-plated steel	
8	865150-010	4	Washer, split-lock, #10, zinc-plated steel	
9	865100-010	4	Washer, flat, #10, zinc-plated steel	
10	361021	1	Bracket with grounding symbol	
11	381040	1	Assembly, cover, high-voltage	
12	865340-008	4	Washer, star, #8, zinc-plated steel	
13	852832-004	4	Screw, #8-32 x 1/4, Phillips pan-head, zinc-plated steel	
14	863003-010	2	Nut with star, #10-24 (kep nut)	
15	865501-002	2	Washer, shoulder, nylon, ID.196, OD.38X.06	
16	363009	4	Bracket, transformer	
17	865350-008	2	Washer, nylon, ID.2, OD.437, THK.02	
18	852A24-048	2	Screw, #10-24 x 2.5, Phillips pan-head, zinc-plated steel	
19	816118-000	1	Transformer, 50/60 Hz, 120/240V-6300 (to main PCB J2)	✓
20	852440-006	2	Screw, #4-40 x 3/8, Phillips pan-head, zinc-plated steel	
21	800322-000	1	Switch, power-ac on/off	✓
22	857424-004	4	Screw, 4-24 x 1/4, Phillips pan-head, self-tapping, BT	
23	800312-000	1	Switch, voltage select, 2-position (includes nut and switch)	
24	805600-001	1	Receptacle, ac input	
25	364013-003	1	Panel, ac-6300 series	
26	366000	1	Assembly, PCB filter board	
27	Varies 381010-010 381010-020	1	Bottom enclosure (with acoustic foam, ground shield and clips) 6310 (narrow carriage) 6350 (wide carriage)	✓
28	Varies 389000-010 389000-020	1	Intelli-card assembly 6310/d (narrow carriage) 6350/d (wide carriage)	✓
29	865100-008	1	Washer, flat #8	
<i>Assemblies</i>				
	361003-003  Varies  381049-010 381049-020		Assembly, power input (items 21 through 26)  Assembly, bottom case with power/PCB (items 1 and 3 through 28 plus items 1 through 10 on table C-5) 6310 (narrow carriage) 6350 (wide carriage)	✓



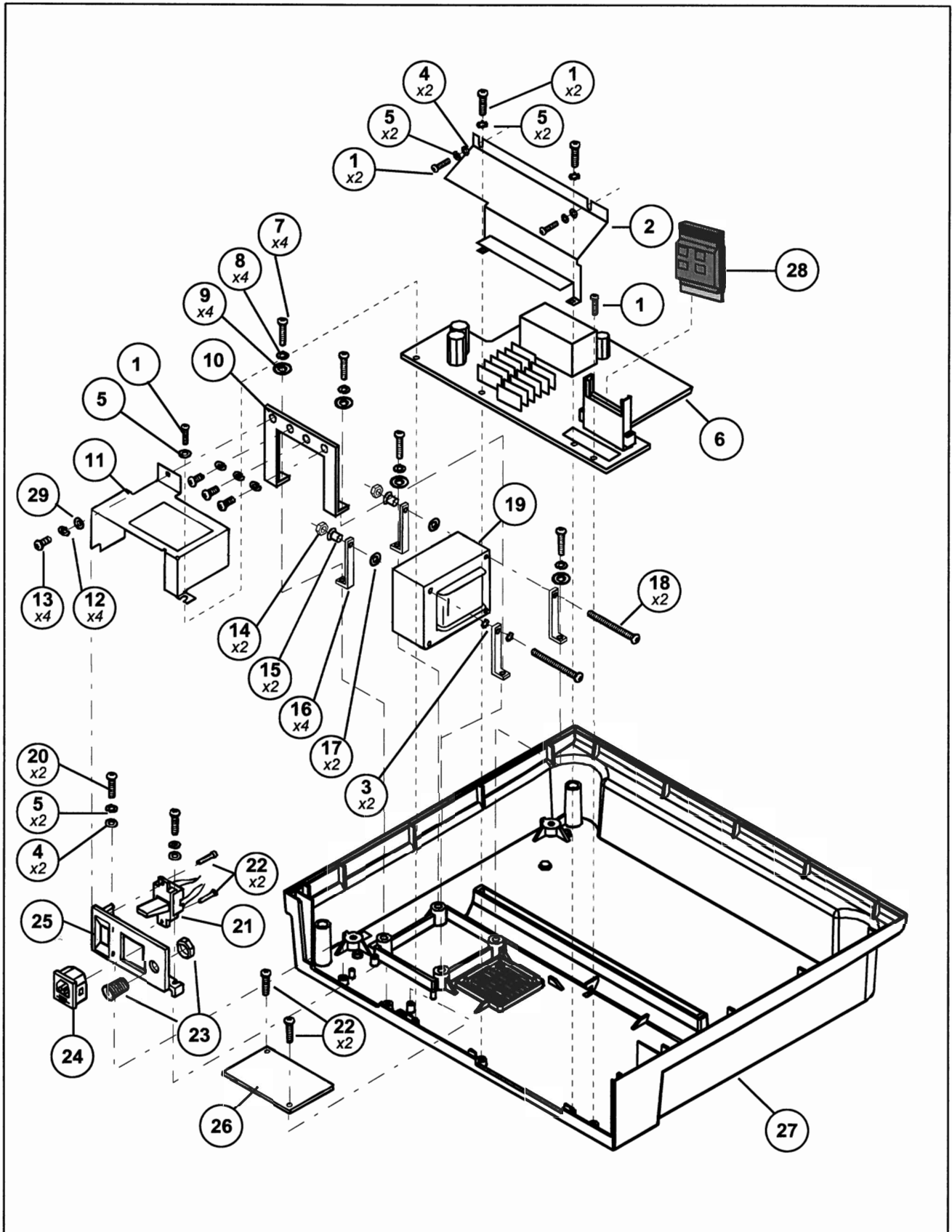


Figure C-4. Power and Main Printed Circuit Board

Bottom Case

Table C-5. Bottom Case

Item	Part Number	Quantity	Description	Spare
1	306106	1	Subassembly, cable, control panel (to main PCB J24)	✓
2	817513-000	3	Clip, cable retainer 1.02W	✓
3	<i>Varies</i> 385032 385042	1	Shield, ground 6310 (narrow carriage) 6350 (wide carriage)	
4	<i>Varies</i> 385029 385041	1	Acoustic foam set, bottom 6310 (narrow carriage) 6350 (wide carriage)	
5	865351-127	4	Washer, mylar #4, OD .31, ID .125, THK .01	
6	876000-001	4	Screw-captive #8-32, zinc-plated steel, Phillips pan-head	
7	<i>Varies</i> 384000 384023	1	Enclosure, bottom 6310 (narrow carriage) 6350 (wide carriage)	
8	852440-018	2	Screw, #4-40 x 1/-1/8, Phillips pan-head, zinc-plated steel	
9	865150-004	2	Washer, split-lock, #4, zinc-plated steel	
10	<i>Varies</i> 830203-000 830204-000	1	Fan assembly (to main PCB J15) 6310 (narrow carriage) 6350 high-flow (wide carriage)	✓
11	881101-002	4	Foot, rubber vibration mounting	✓
12	852632-006	4	Screw #6-32 x 3/8, Phillips pan-head, zinc-plated steel	
13	<i>Varies</i> 385021 385022	1	Seal, bottom enclosure 6310 (narrow carriage) 6350 (wide carriage)	✓
<i>Assemblies</i>				
	381010-010		Assembly, bottom enclosure-6310 (items 2 through 7)	✓
	381010-020		Assembly, bottom enclosure-6350 (items 2 through 7)	✓

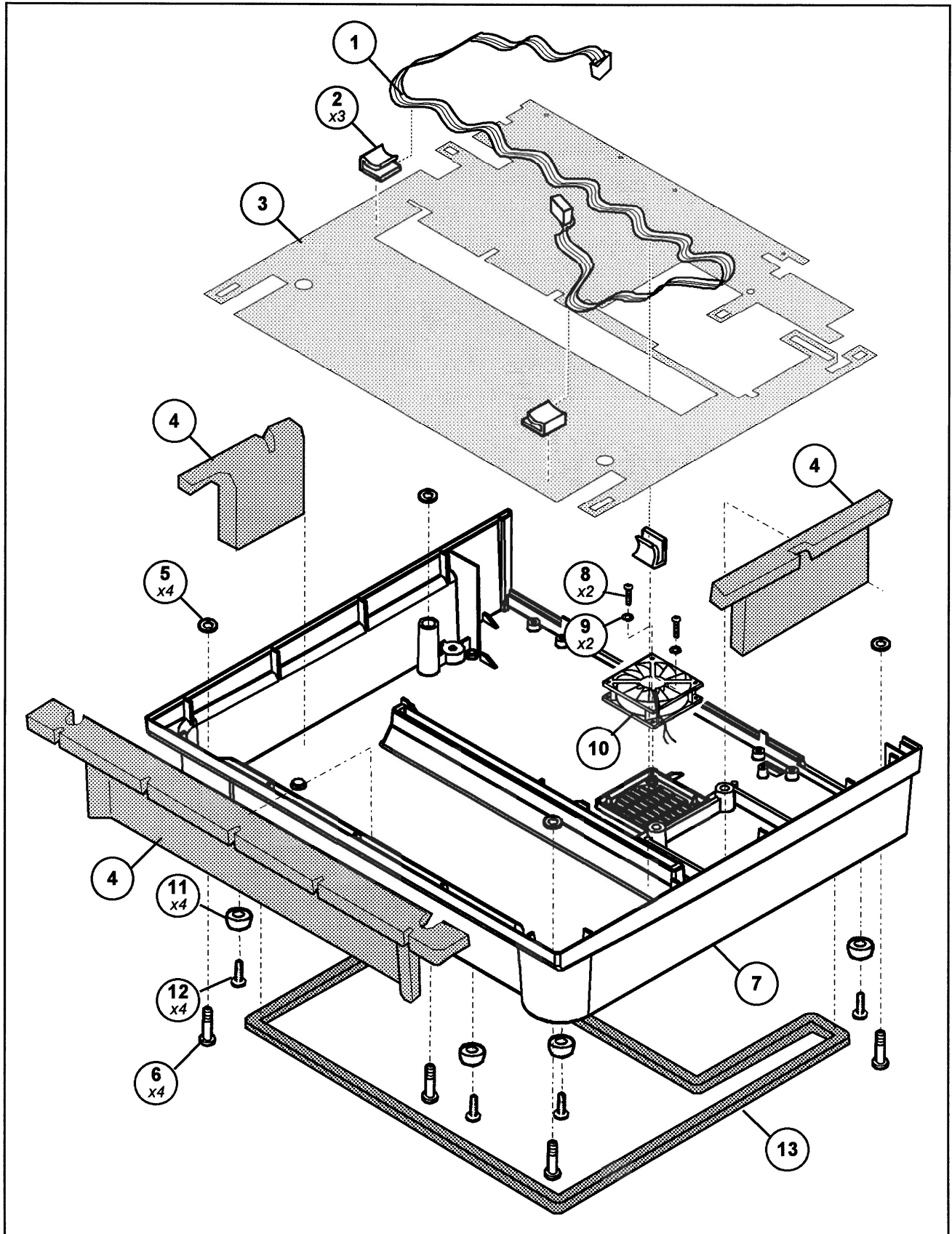


Figure C-5. Bottom Case

## Chassis, Top

Table C-6. Chassis, Top

Item	Part Number	Quantity	Description	Spare
1	<i>Varies</i> 385004 385043	1	Platen wiper (with adhesive) 6310 (narrow carriage) 6350 (wide carriage)	✓
2	303004	<i>Varies</i> 3 6	Guide, paper feed front 6310 (narrow carriage) 6350 (wide carriage)	✓
3	304058	<i>Varies</i> 3 6	Fastener, paper feed guide, front 6310 (narrow carriage) 6350 (wide carriage)	✓
4	852440-004	3	Screw, #4-40 x 1/4, Phillips pan head, zinc-plated steel	
5	865150-004	8	Washer, split-lock, #4, zinc-plated steel	
6	303036	1	Clamp, printhead cable shield	
7	306075	1	Cable, printhead interconnect, carriage board JP2 to main PCB J12	✓
8	306074	1	Cable, printhead interconnect, carriage board JP1 to main PCB J11	✓
9	301092	1	Shield, printhead cable assembly, minor	
10	301091	1	Shield, printhead cable assembly, major	
11	<i>Varies</i> 385037 385039	1	Acoustic foam, front crossbrace-major (rear) 6310 (narrow carriage) 6350 (wide-carriage)	
12	385038	1	Acoustic foam, front crossbrace-minor (front)	
13	852440-006	6	Screw, #4-40 x 3/8, Phillips pan-head	
14	301542	1	Paper jam sensor (to main PCB J9)	✓
15	304136	1	Block, mounting-jam sensor	
16	852440-006	2	Screw, #4-40 x 3/8, Phillips pan-head	
17	865100-004	2	Washer, flat, #4	
18	383014	1	Cover, auto-gap motor	
19	366022	1	Assembly, sensor encoder-auto gap (to main PCB J21)	✓
20	361000	1	Subassembly, timing disc	
21	860440-004	1	Set screw, 4-40 x 1/4, HSH, C/PT	
22	361030	1	Subassembly, motor/gear-auto gap (to main PCB J22)	
23	<i>Varies</i> 381020-010 381020-020	1	Subassembly, chassis (with acoustic foam: items 11 and 12) 6310 (narrow carriage) 6350 (wide carriage)	
24	<i>Varies</i> 385010 385011	1	Scale 6310 (narrow carriage) 6350 (wide carriage)	✓
<i>Assemblies</i>				
	361018		Assembly, auto gap motor with disk (items 20, 21 and 22)	✓

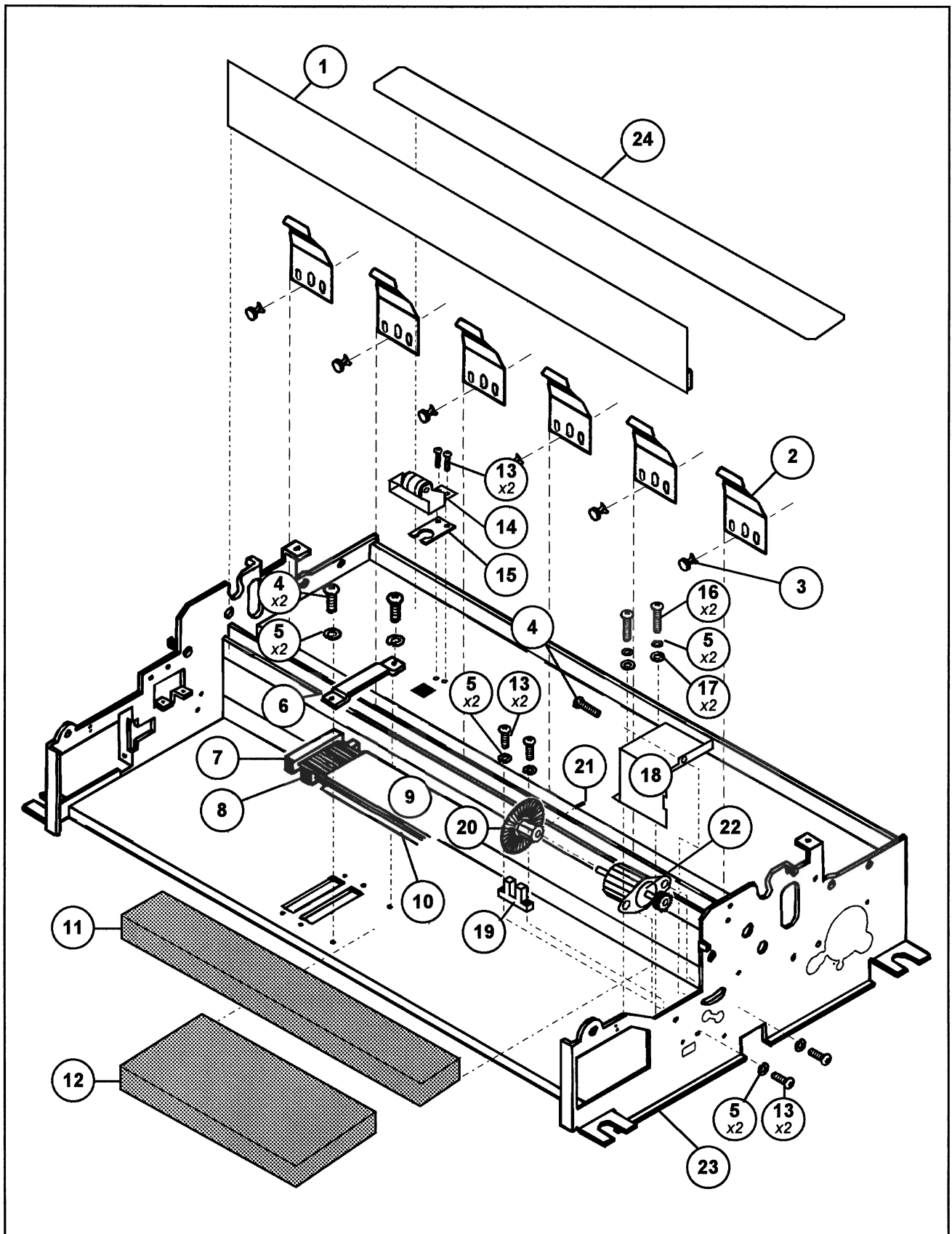


Figure C-6. Chassis, Top

Chassis, Bottom

Table C-7. Chassis, Bottom

Item	Part Number	Quantity	Description	Spare
1	<i>Varies</i> 381020-010 381020-020	1	Subassembly, chassis 6310 (narrow-carriage) 6350 (wide-carriage)	
2	817513-000	3	Clip, cable retaining with adhesive backing	✓
3	817500-002	4	Tie wrap	✓
4	817510-001	4	Holder, cable tie	✓
5	852832-006	2	Screw, #8-32 x 3/8, Phillips pan-head, zinc-plated steel	
6	865150-008	5	Washer, split-lock, #8	
7	852440-008	4	Screw, #4-40 x 1/2, Phillips pan-head, zinc-plated steel	
8	865150-004	4	Washer, split-lock, #4	
9	865600-004	4	Washer, flat, light, #4, zinc-plated steel	
10	306073	1	Cable, interconnect carriage board JP2 to main PCB J12	✓
11	306072	1	Cable, interconnect carriage board JP1 to main PCB J11	✓
12	852832-007	3	Screw, #8-32 x 7/16, Phillips pan-head	
13	865100-008	3	Washer, flat, #8	
14	868100-018	1	Pulley/set screw-40DP, 18 groove, 0.25 bore	
15	306012	1	Motor, paper drive (to main PCB J14)	
16	852440-006	3	Screw, #4-40 x 3/8, Phillips pan-head	
17	865150-004	3	Washer, split-lock, #4	
18	865100-004	3	Washer, flat, #4	
19	381005	1	Assembly, gear train/automatic tractor	✓
20	842105-002	<i>Varies</i> 0 2	Bumper, .5 square, .12 height 6310 (narrow-carriage) 6350 (wide-carriage)	
<i>Assemblies</i>				
	301012		Assembly, motor paper feed (items 14 and 15)	✓

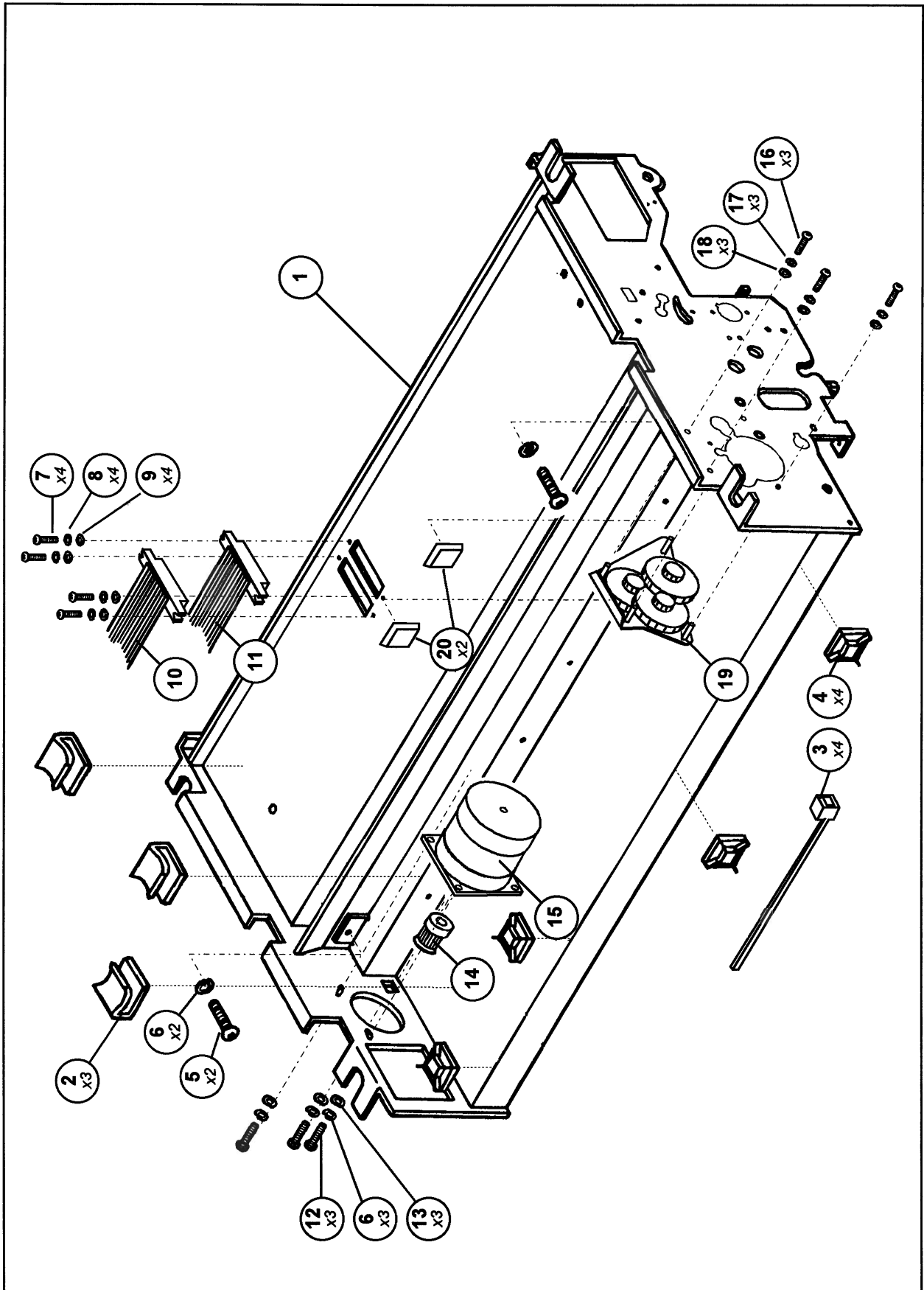


Figure C-7. Chassis, Bottom

## Chassis, Left

Table C-8. Chassis, Left

<i>Item</i>	<i>Part Number</i>	<i>Quantity</i>	<i>Description</i>	<i>Spare</i>
1	305010	1	Lock, platen, left	
2	872109-188	3	Ring, retaining, external shaft 0.188	
3	852440-004	3	Screw #4-40 x 1/4, Phillips pan-head, zinc-plated steel	
4	865150-004	3	Washer, split/lock #4	
5	363011	1	Bracket, ribbon drive cable support	
6	385014	1	Cable, ribbon drive-6310 (narrow-carriage)	✓
	305018	1	Cable, ribbon drive-6350 (wide-carriage)	✓
7	868200-005	1	Belt, 40 DP, 1/4 wide, 125 grooves	✓
8	817510-001	3	Cable tie holder, nylon	✓
9	365004	1	Spring, bail	✓
10	304134	1	Arm, bail, left	✓
11	882002-001	1	Grommet	
12	303127	1	Actuator, bail	
13	873105-002	1	Pin, roll, OD 0.063	
14	830303-000	1	Solenoid, bail (to main PCB J16)	
15	865100-008	1	Washer, flat, #8	
16	865150-008	1	Washer, split/lock, #8	
17	852832-004	1	Screw, #8-32 x 1/4, Phillips pan-head, zinc-plated steel	
18	363004	1	Lever, micro gap	
19	305079	1	Spring, external paper release	✓
20	304017	1	Link, left	✓
21	304015	1	Actuator, paper release, left	✓
22	872109-219	1	Ring, retaining, external shaft 0.219	
23	303016	1	Washer, thrust, paper feed-0.042	
24	304124	1	Gear, paper feed shaft	✓
25	852832-013	2	Screw #8-32 x 13/16, Phillips pan-head	
26	865150-008	2	Washersplit/lock#8	
27	865330-008	2	Washer, flat, #8 ID .187 OD.75	
28	301110	2	Subassembly, vibration mount	
29	303039	2	Strap, ground	
30	870104-625	1	Bearing, ball .625	
31	872110-002	1	Ring, ret., ext., push-on—0.125	
<i>Assemblies</i>				
	381026		Assembly, bail/actuator (items 11 through 14)	✓



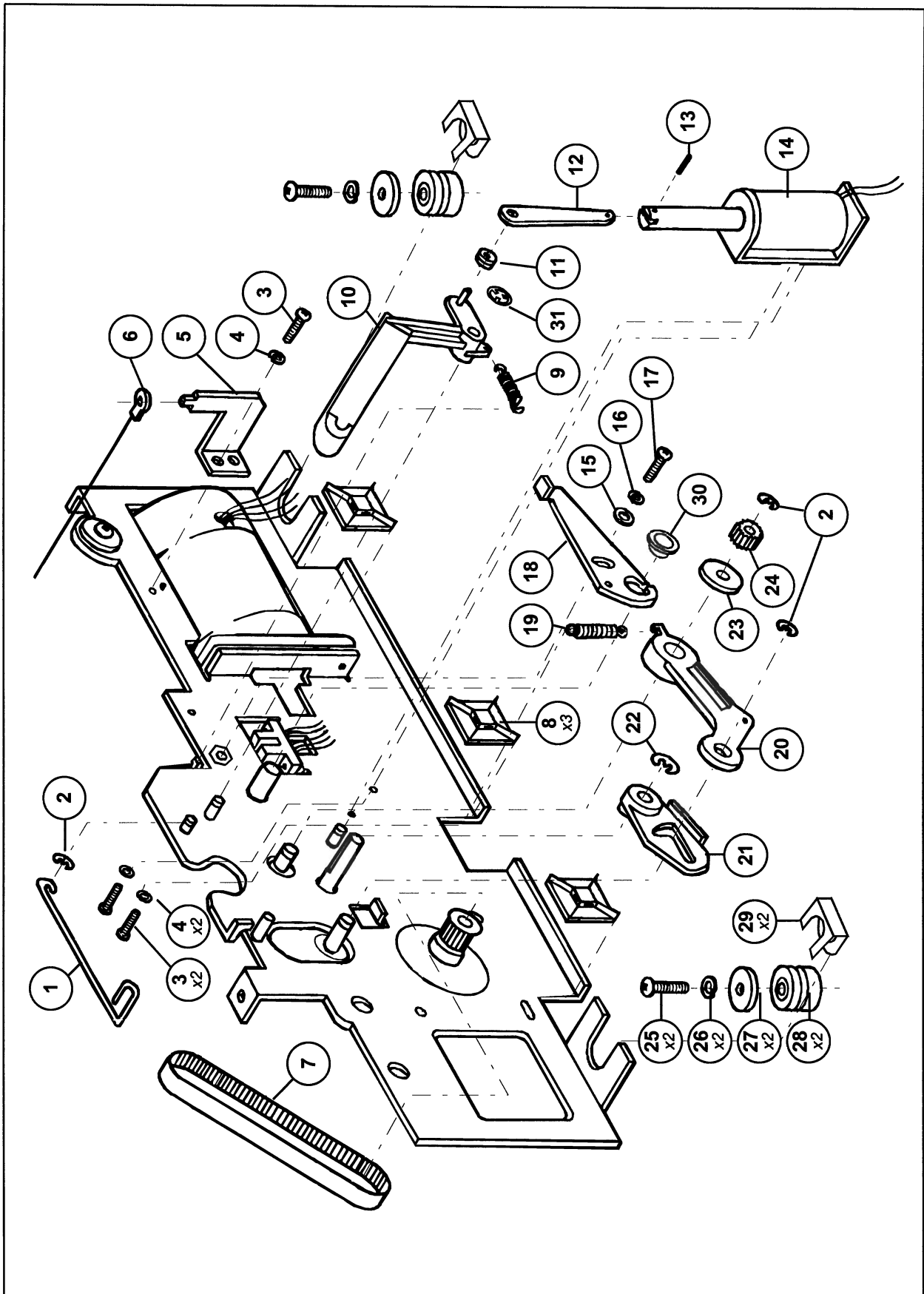


Figure C-8. Chassis, Left

## Chassis, Left—Shafts, Tractors and Motors

Table C-9. Chassis, Left-Shafts, Tractors and Motors

Item	Part Number	Quantity	Description	Spare
1	890127-000	1	Tractor, pair--4pin	✓
2	<i>Varies</i>			
	382007	1	Shaft, tractor drive-6310 (narrow-carriage)	
	302013	1	Shaft, tractor drive-6350 (wide-carriage)	
3	<i>Varies</i>	1	Shaft, tractor support	
	382002		6310 (narrow-carriage)	
	302014		6350 (wide-carriage)	
4	865200-003	1	Washer, wave spring ID .203, OD .375	
5	301012	1	Assembly, motor-paper feed (to main PCB J14)	✓
6	865100-008	6	Washer, flat #8	
7	865150-008	7	Washer, split/lock #8	
8	852832-007	6	Screw, #8-32 x 7/16, Phillips pan-head	
9	<i>Varies</i>	1	Shaft, roller support	
	382006		6310 (narrow-carriage)	
	301010		6350 (wide-carriage)	
10	<i>Varies</i>	1	Shaft, paper release	
	382003		6310 (narrow-carriage)	
	302015		6350 (wide-carriage)	
11	<i>Varies</i>	1	Shaft, paper feed	
	382001		6310 (narrow-carriage)	
	302008		6350 (wide-carriage)	
12	<i>Varies</i>	1	Shaft, carrier main	
	382004		6310 (narrow-carriage)	
	362000		6350 (wide-carriage)	
13	<i>Varies</i>	1	Deflector, paper	
	383003		6310 (narrow-carriage)	
	303014		6350 (wide-carriage)	
14	852632-004	1	Screw #6-32 x 1/4, Phillips pan-head, zinc-plated steel	
15	865150-006	1	Washer, split/lock #6, zinc-plated steel	
16	865100-006	1	Washer, flat, #6	
17	<i>Varies</i>	1	Shaft, carrier support	
	382008		6310 (narrow-carriage)	
	302020		6350 (wide-carriage)	
18	865330-008	1	Washer, flat, ID .187, OD .75	
19	865150-008	1	Washer, split/lock #8	
20	852832-006	1	Screw, #8-32 x 3/8, Phillips pan-head, zinc-plated steel	
21	852440-004	2	Screw, #4-40 x 1/4, Phillips pan-head	
22	852832-008	1	Screw, #8-32 x 1/2, Phillips pan-head	
23	306078	1	Assembly, sensor home (to main PCB J5)	✓
24	361034	1	Subassembly, motor/pulley-carriage drive (to main PCB J13)	✓
25	303055	1	Bracket, carriage motor	
26	865150-004	2	Washer, split-lock #4	

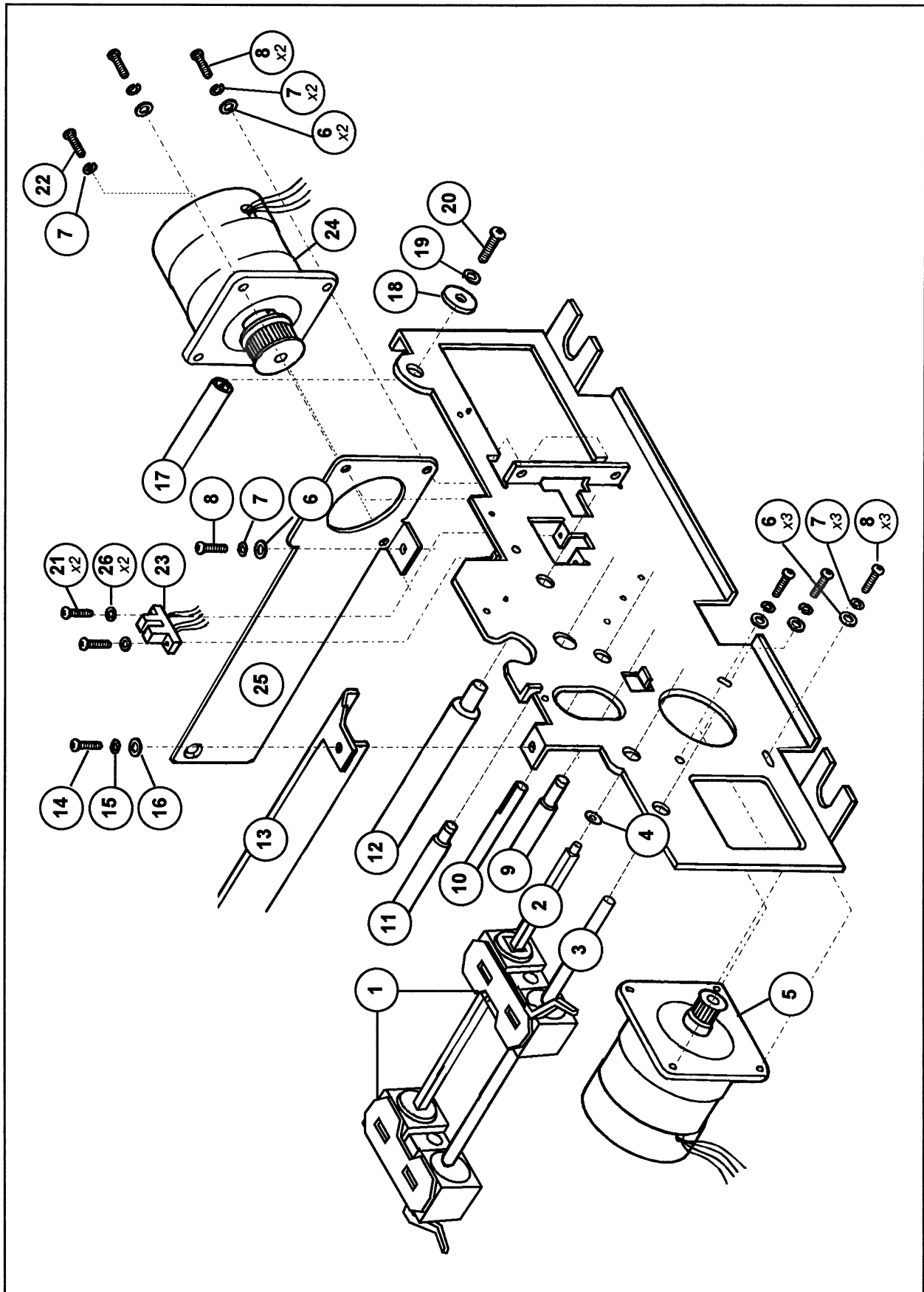


Figure C-9. Chassis, Left-Shafts, Tractors and Motors

## Chassis, Right

Table C-10. Chassis, Right

Item	Part Number	Quantity	Description	Spare
1	305004	1	Lock, platen, right	
2	872109-188	4	Ring, retaining, external shaft 0.188	
3	304133	1	Arm, bail, right - 535d/635d/6300	✓
4	365004	1	Spring, bail	✓
5	366023	1	Assembly, switch, auto tractor select (to main PCB J4)	✓
6	865150-002	2	Washer, split/lock #2	
7	852256-006	2	Screw #2-56 x 3/8, Phillips pan-head	
8	381042	1	Indicator, tractor select (384035) and label (385035)	✓
9	872109-312	1	Ring, retaining external shaft 0.312	
10	304002	1	Gear, tractor drive	✓
11	871350-006	1	Spring, compression, OD 0.265	✓
12	872109-219	2	Ring, retaining external shaft 0.219	
13	304014	1	Actuator, right	✓
14	304016	1	Link, right	✓
15	<i>Varies</i>			
	303129	1	Washer, thrust, paper feed-6350, 0.60	
	303016	1	Washer, thrust, paper feed-6310, 0.42	
16	305079	1	Spring, external paper release	✓
17	301032	1	Subassembly, gear train, rear tractor	✓
18	865100-006	3	Washer, flat #6, zinc-plated steel	
19	865150-006	3	Washer, split/lock #6, zinc-plated steel	
20	852632-006	3	Screw #6-32 x 3/8, Phillips pan-head, zinc-plated steel	
21	817510-001	2	Cable tie holder, nylon	✓
22	381006	1	Assembly, motor/gear-auto tractor select (to main PCB J20)	✓
23	865100-004	2	Washer, flat #4	
24	865150-004	2	Washer, split/lock #4	
25	852440-004	2	Screw #4-40 x 1/4, Phillips pan-head	
26	364009	2	Retainer, bearing	
27	855440-003	2	Screw, #4-40 x 3/16, Phillips flat-head	
28	870104-625	1	Ball bearing .625	
29	865330-030	1	Washer, SS 0.15 thick	
30	381041	1	Indicator, auto gap (384034) and label (385035)	✓
31	865340-004	1	Washer, external star, #4	
32	852440-005	1	Screw #4-40 x 5/16, Phillips pan-head	
33	852832-013	2	Screw #8-32 x 13/16, Phillips pan-head	
34	865150-008	2	Washer split/lock #8	
35	865330-008	2	Washer, flat, #8 ID .187 OD.75	
36	301110	2	Subassembly, vibration mount	
37	303039	2	Strap, ground	

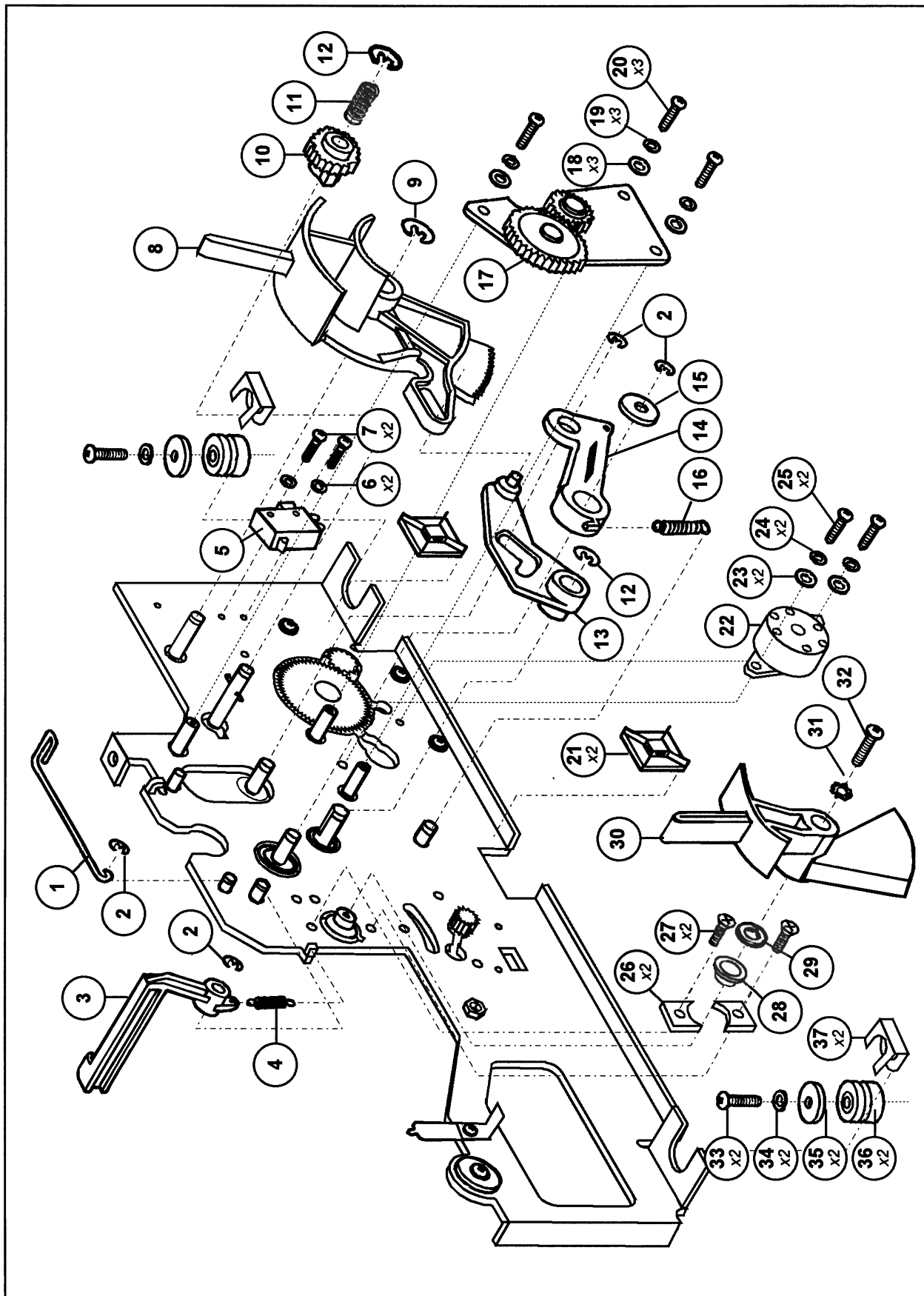


Figure C-10. Chassis, Right

## Chassis, Right—Shafts, Cable and Belt

Table C-11. Chassis, Right-Shafts, Cable and Belt

Item	Part Number	Quantity	Description	Spare
1	868201-371	1	Belt, carriage drive-6310 (narrow-carriage)	✓
	868201-000	1	Belt, carriage drive-6350 (wide-carriage)	✓
2	301002	1	Pulley, return	
3	870105-500	2	Bearing, ball, two-shield OD 0.5, ID 0.18	
4	302023	1	Shaft, return pulley	
5	872109-188	2	Ring, retaining, external shaft 0.188	
6	303007	1	Bracket, return pulley	
7	852632-006	2	Screw #6-32 x 3/8, Phillips pan-head, zinc-plated steel	
8	865150-006	2	Washer, split/lock #6, zinc-plated steel	
9	865100-006	2	Washer, flat #6, zinc-plated steel	
10	875832-001	1	Nut, hex, nylok #8-32	
11	305006	1	Spring, ribbon drive cable	✓
12	805120-000	1	Tab, 90 degree, .25 x 0.032	
13	865150-004	1	Washer, split/lock #4	
14	852440-004	1	Screw #4-40 x 1/4, Phillips pan-head, zinc-plated steel	
15	865330-008	1	Washer, flat, ID .187, OD .75	
16	865150-008	1	Washer, split/lock #8	
17	852832-006	1	Screw, #8-32 x 3/8, Phillips pan-head, zinc-plated steel	
18	382008	1	Shaft, carrier support-6310 (narrow-carriage)	
	302020	1	Shaft, carrier support-6350 (wide-carriage)	
19	385014	1	Cable, ribbon drive-6310 (narrow-carriage)	✓
	305018	1	Cable, ribbon drive-6350 (wide-carriage)	✓
20	382004	1	Shaft, carrier main-6310 (narrow-carriage)	
	362000	1	Shaft, carrier main-6350 (wide-carriage)	
21	865330-030	1	Washer, SS 0.15 thick	
22	382003	1	Shaft, paper release-6310 (narrow-carriage)	
	302015	1	Shaft, paper release-6350 (wide-carriage)	
23	382001	1	Shaft, paper feed-6310 (narrow-carriage)	
	302008	1	Shaft, paper feed-6350 (wide-carriage)	
24	382006	1	Shaft, roller support-6310 (narrow-carriage)	
	301010	1	Shaft, roller support-6350 (wide-carriage)	
25	382007	1	Shaft, tractor drive-6310 (narrow-carriage)	
	302013	1	Shaft, tractor drive-6350 (wide-carriage)	
26	873117-001	1	Pin, groove type E, 3/32 diam x 3/8 long	
27	872109-188	2	Ring, retaining, external shaft 0.188	
28	382002	1	Shaft, tractor support-6310 (narrow-carriage)	
	302014	1	Shaft, tractor support-6350 (wide-carriage)	
29	872109-312	1	Ring, retaining, external shaft 0.312	
30	383003	1	Deflector, paper-6310 (narrow-carriage)	
	303014	1	Deflector, paper-6350 (wide-carriage)	
31	852632-004	1	Screw #6-32 x 1/2, Phillips pan-head, zinc-plated steel	
32	865150-006	1	Washer, split/lock #6, zinc-plated steel	
33	865100-006	1	Washer, flat, #6, zinc-plated steel	
34	381007	1	Assembly, bail tube-6310 (narrow-carriage)	✓
	301536	1	Assembly, bail tube major-6350 (wide-carriage)	✓
	301537	1	Assembly, bail tube minor-6350 (wide-carriage)	✓
35	382000	1	Shaft, bail-6310 (narrow-carriage)	
	302006	1	Shaft, bail-6350 (wide-carriage)	
36	304133	1	Arm, bail, right	✓
37	365004	1	Spring, bail	✓
38	385015	1	Guide, rear paper feed-6310 (narrow-carriage)	✓
	385036	1	Guide, rear paper feed-6350 (wide-carriage)	✓
<i>Assemblies</i>				
	301015	1	Return pulley (items 2 through 5)	✓

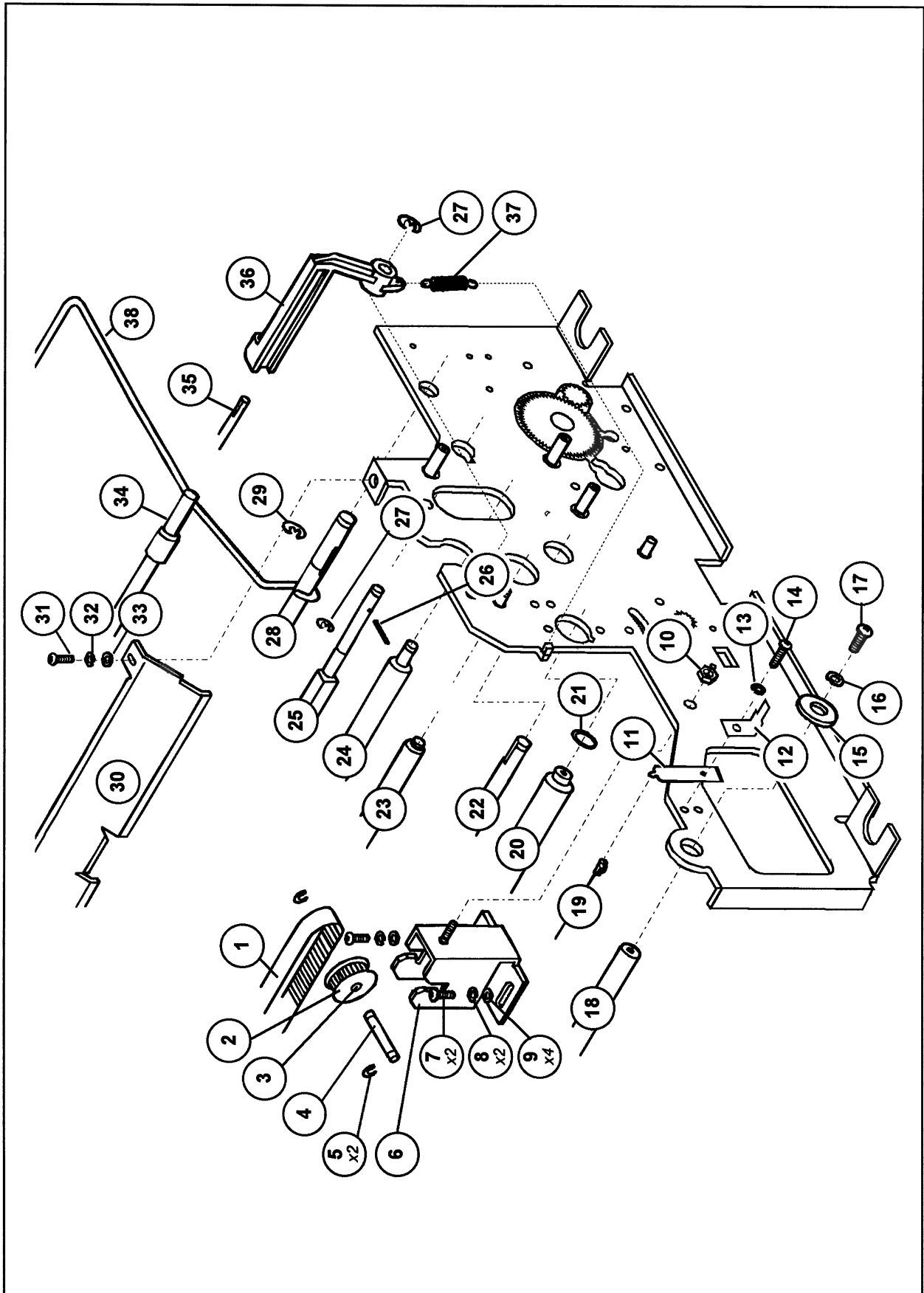


Figure C-11. Chassis, Right-Shafts, Cable and Belt

Platen

Table C-12. Platen

<i>Item</i>	<i>Part Number</i>	<i>Quantity</i>	<i>Description</i>	<i>Spare</i>
1	872109-312	1	Ring, retaining, external, shaft 0.312	
2	304125	1	Pulley/gear, platen drive	✓
3	304026	2	Bearing, platen	
4	849A32-004	2	Screw, set, #10-32 x 1/4, hex socket head, knurled cup-point	
5	200744	2	Gear, platen drive	✓
6	304027	1	Bushing, platen left	
7	865200-002	1	Washer, wave spring, ID 0.385, OD 0.50	
8	<i>Varies</i> 385007 305001	1	Platen Narrow-carriage Wide-carriage	
9	304028	1	Bushing, platen right	
10	301515	1	Assembly, platen paper-out sensor brush	
<i>Assemblies</i>				
	381013-010		Platen (all items), narrow-carriage	✓
	301367		Platen (all items), wide-carriage	✓



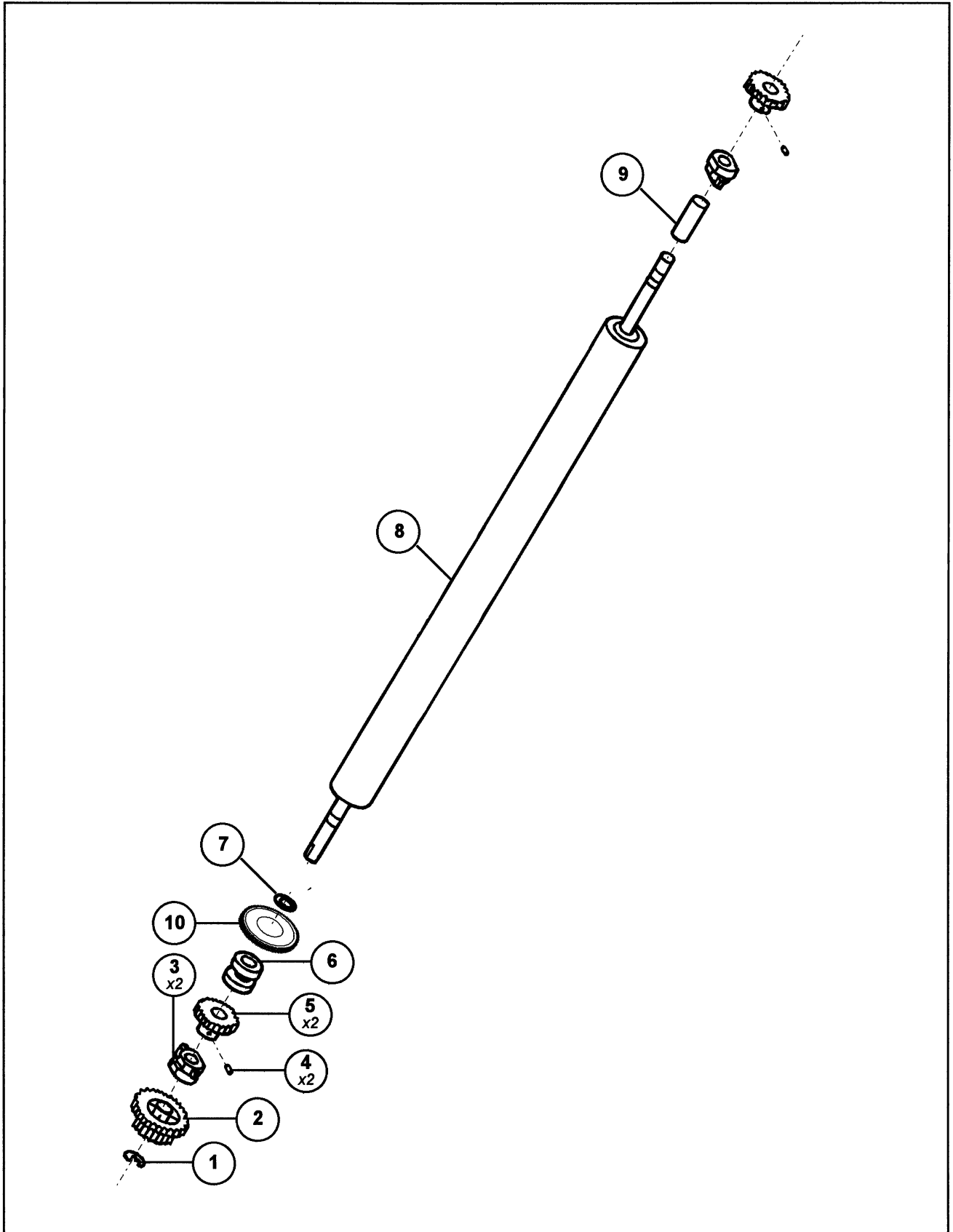


Figure C-12. Platen

Paper Guides

Table C-13. Paper Guides

<i>Item</i>	<i>Part Number</i>	<i>Quantity</i>	<i>Description</i>	<i>Spare</i>
1	303005	<i>Varies</i> 3 6	Guide, paper feed, rear Narrow-carriage Wide-carriage	✓
2	305351	<i>Varies</i> 4 5	Roller, paper feed Narrow-carriage Wide-carriage	✓
3	305007	<i>Varies</i> 4 5	Belt, paper feed Narrow-carriage Wide-carriage	✓
4	872116-438	2	Ring, retaining, crescent, shaft 0.438	
5	<i>Varies</i> 382006 302009	1	Shaft, roller support Narrow-carriage Wide-carriage	
6	<i>Varies</i> 382001 302008	1	Shaft, paper feed Narrow-carriage Wide-carriage	
7	<i>Varies</i> 385008 305013	1	Sleeve, paper feed shaft Narrow-carriage Wide-carriage	✓
<i>Assemblies</i>				
	<i>Varies</i> 381027 301010		Roller support shaft (items 1,2, 4 and 5) Narrow-carriage Wide-carriage	

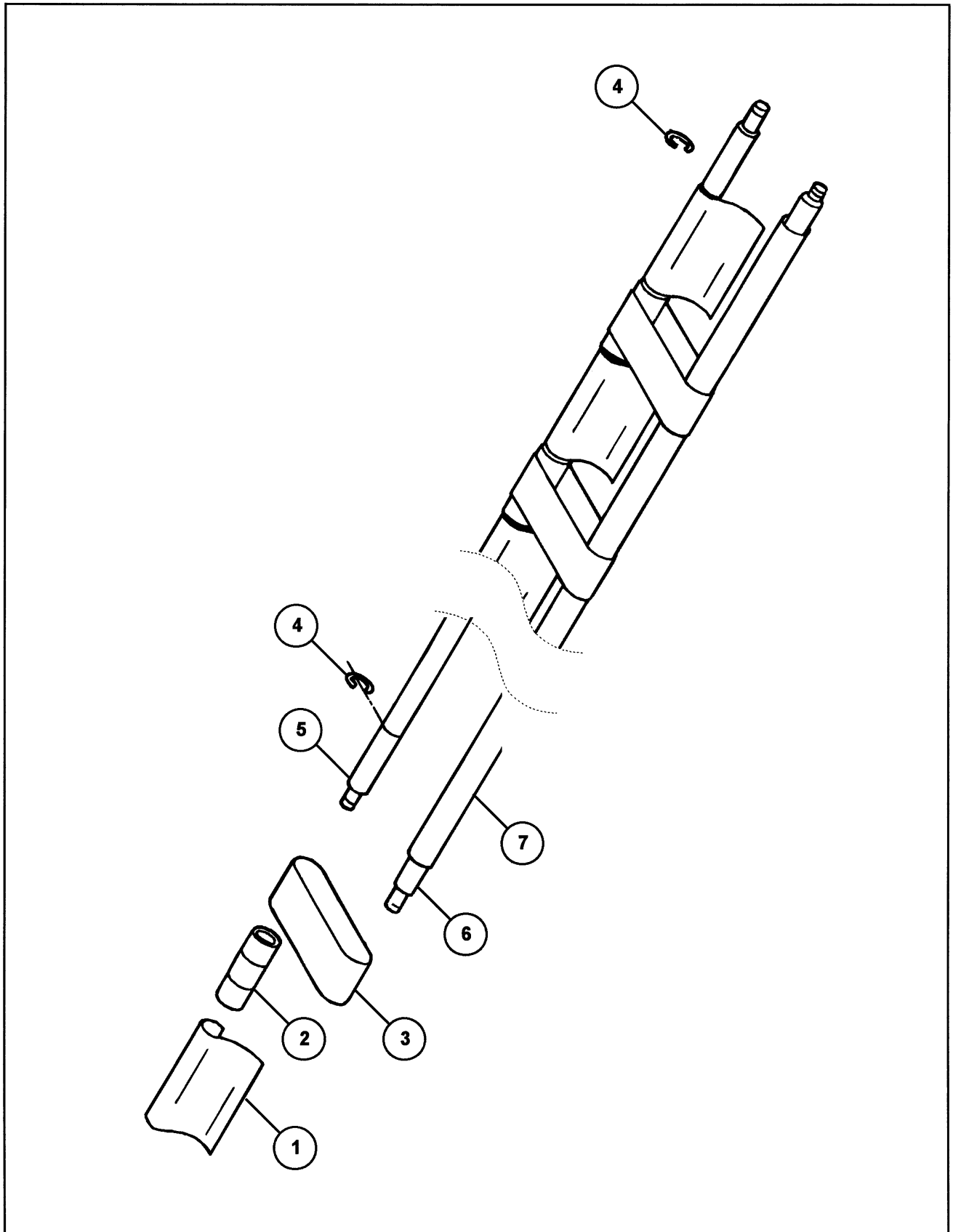


Figure C-13. Paper Guides

Ribbon Platform

Table C-14. Ribbon Platform

<i>Item</i>	<i>Part Number</i>	<i>Quantity</i>	<i>Description</i>	<i>Spare</i>
1	844110-xxx	1	Ribbon cartridge (-001, black; -002, color; -101, HD black; -107, HD color)	✓
2	304011	2	Clip, ribbon cartridge	✓
3	305175	4	Pad, ribbon cartridge	
4	852440-004	3	Screw, #4-40 x 1/4, Phillips pan-head, zinc-plated steel	
5	865150-004	3	Washer, split-lock, #4, zinc-plated steel	
6	383015-002	1	Platform, ribbon elevator	
7	850256-001	1	Nut, hex, #2-56, STD, zinc-plated steel	
8	304021	1	Gear quadrant, ribbon elevator	✓
9	855256-003	1	Screw, #2-56 x 3/16, Phillips flat-head, 100-degrees	
10	872109-188	2	Ring, retaining, external, shaft 0.188	
11	302021	2	Pin, pivot, ribbon elevator	
12	865200-003	2	Washer, wave spring, ID 0.203, OD 0.375	
13	855440-004	4	Screw, #4-40 x 1/4, Phillips flat-head, 100-degrees	
14	306100	1	Multicolor ribbon switch assembly (to carriage board JP8)	✓
15	865100-002	1	Washer, flat, #2, zinc-plated steel	
16	865150-002	1	Washer, split-lock, #2, zinc-plated steel	
17	852256-006	1	Screw, #2-56 x 3/8, Phillips pan-head, zinc-plated steel	
18	303006	1	Bracket, ribbon elevator	
19	301026	1	Ribbon drive mechanism	
<i>Assemblies</i>				
	381018-002		Platform subassembly (items 3 and 6)	✓
	300023		Kit, ribbon pad, set of 4 (item 3)	✓

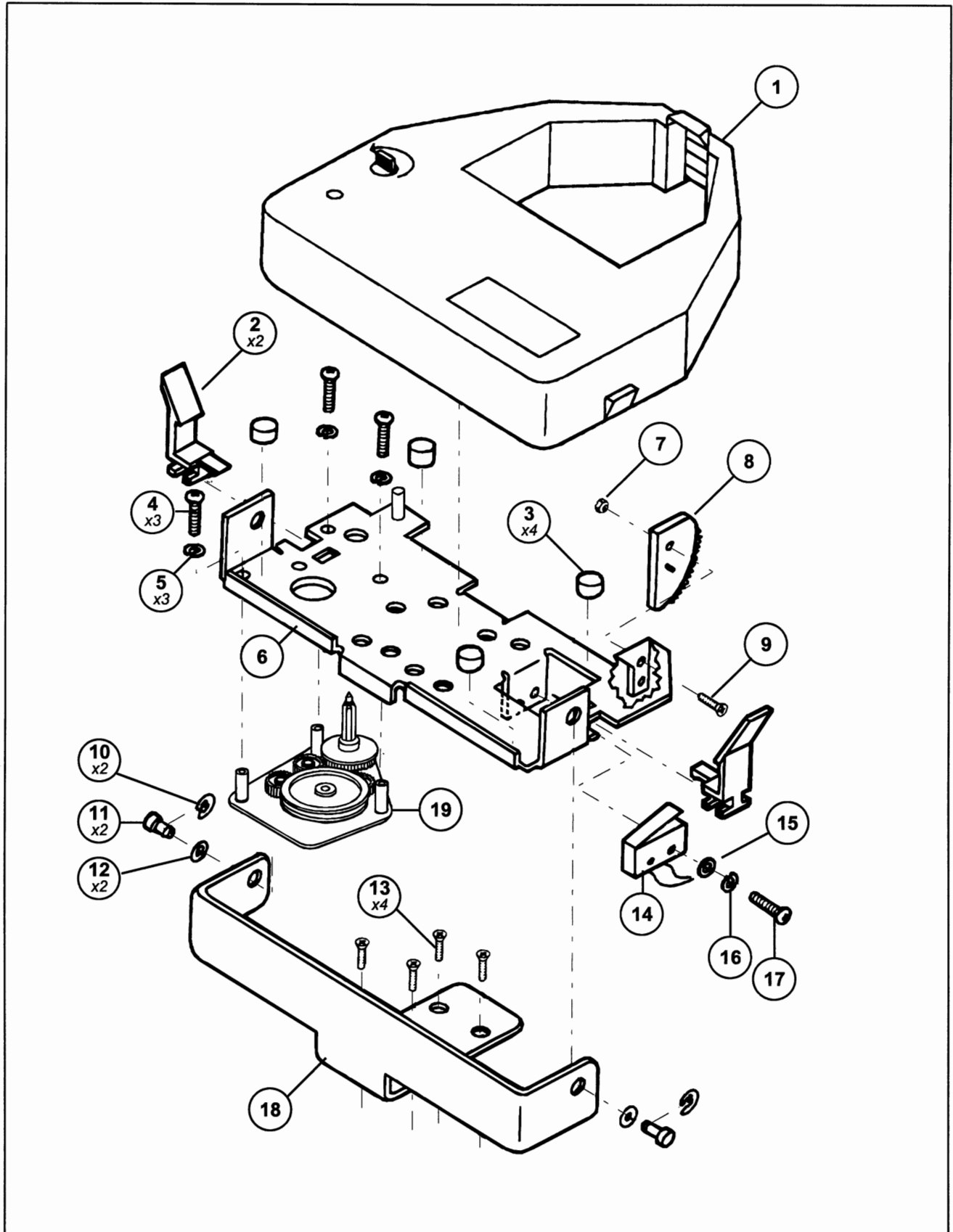


Figure C-14. Ribbon Platform

## Ribbon Drive Mechanism

Table C-15. Ribbon Drive Mechanism

<i>Item</i>	<i>Part Number</i>	<i>Quantity</i>	<i>Description</i>	<i>Spare</i>
1	<i>Varies</i> 385014 305018	1	Cable, ribbon drive 6310 (narrow carriage) 6350 (wide carriage)	✓
2	872109-125	1	Ring, retaining, external, shaft 0.125	
3	865330-010	1	Washer, flat, ID 0.195, OD 0.375	
4	304007	1	Pulley, ribbon drive	
5	304010	1	Spindle, ribbon drive	
6	872109-094	1	Ring, retaining, external, shaft 0.094	
7	865330-004	1	Washer, flat, ID 0.115, OD 0.270, 0.010 thick	
8	304009	1	Gear, ribbon drive reversing	
9	865330-012	1	Washer, flat, ID 0.114, OD 0.312, 0.005 thick	
10	865202-004	1	Washer, crescent spring, ID 0.099, OD 0.25	
11	302005	1	Pin, reversing gear	
12	304051	1	Arm, ribbon reversing	
13	304008	3	Gear, ribbon drive idler	
14	302022	3	Spacer, ribbon drive	
15	301027	1	Ribbon drive plate	
16	855440-004	3	Screw, #4-40 x 1/4, Phillips flat-head, 100-degrees	
<i>Assemblies</i>				
	301026		Ribbon drive mechanism (items 2 through 16)	✓
	301028		Ribbon reverse arm/gear (items 6 through 12)	
	301029		Ribbon reverse arm (items 11 and 12)	

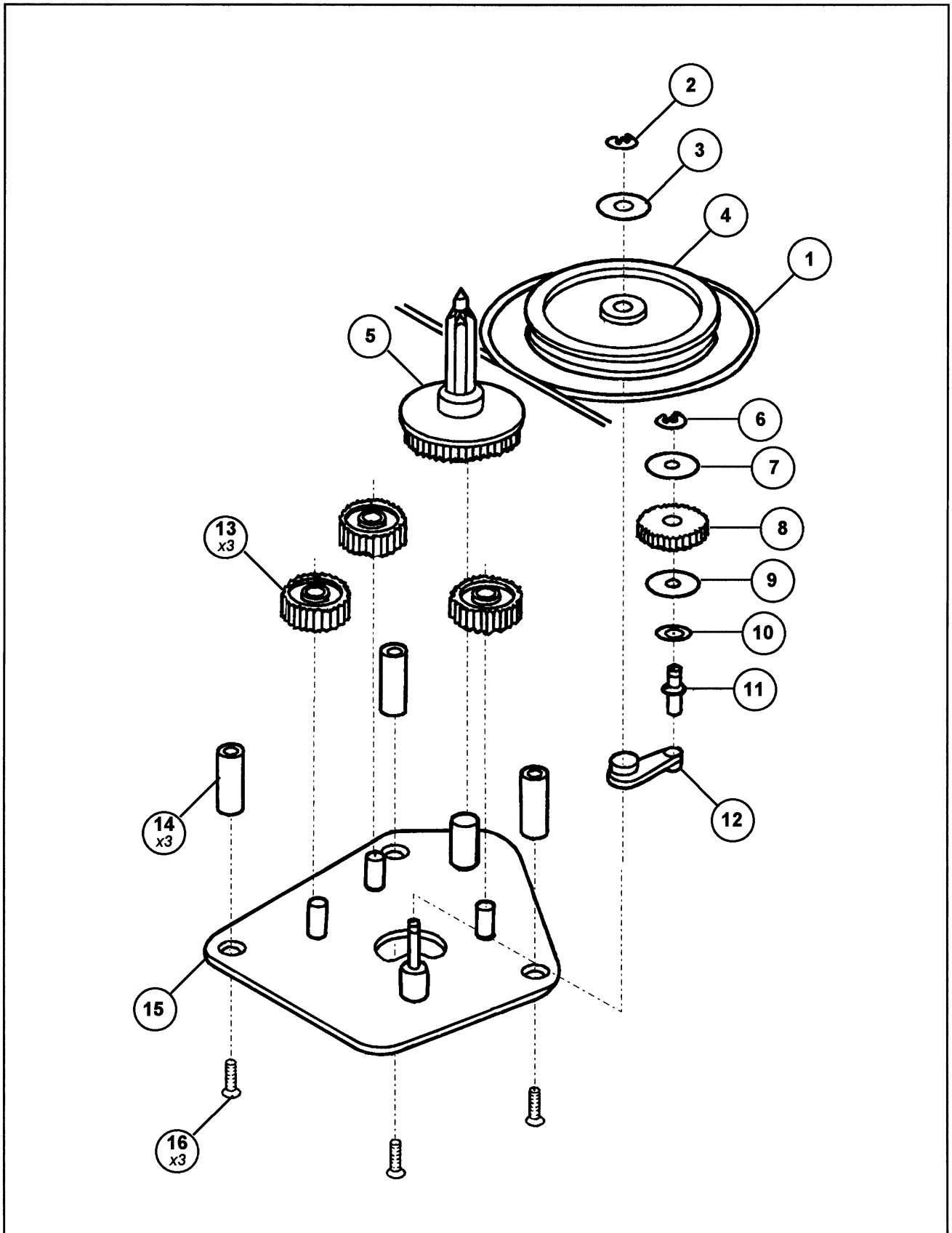


Figure C-15. Ribbon Drive Mechanism

## Carrier with Printhead and Ribbon Lift Motor

Table C-16. Carrier with Printhead and Ribbon Lift Motor

<i>Item</i>	<i>Part Number</i>	<i>Quantity</i>	<i>Description</i>	<i>Spare</i>
1	301042	2	Assembly, printhead screw	✓
2	830137-000	1	Printhead, 24-wire (to carriage board JP7)	✓
3	304055	1	Bearing, carriage shaft minor	
4	852440-004	2	Screw, #4-40 x 1/4, Phillips pan-head, zinc-plated steel	
5	865150-004	2	Washer, split-lock, #4, zinc-plated steel	
6	303027	1	Clamp, ribbon shield	
7	303003	1	Shield, ribbon	✓
8	304020	1	Print-line indicator/paper deflector	✓
9	306079	1	Paper sensor assembly (to carriage board JP5)	✓
10	872109-125	1	ring, retaining, external, shaft 0.125	
11	304006	1	Gear, cluster, color	✓
12	303000	1	Plate, ribbon shift motor	
13	304005	1	Gear, motor drive-color	
14	306104	1	Assembly, motor ribbon lift (to carriage board JP3)	
15	865330-001	2	Washer, flat, ID 0.105, OD 0.190	
16	865150-002	2	Washer, split-lock, #2, zinc-lated steel	
17	852256-004	2	Screw, #2-56 x 1/4, Phillips pan-head, zinc-plated steel	
18	865150-004	3	Washer, split-lock, #4, zinc-plated steel	
19	302011	3	Spacer, ribbon lift motor	
20	852440-010	3	Screw, #4-40 x 5/8, Phillips pan-head, zinc-plated steel	
<i>Assemblies</i>				
	301024		Assembly, motor-ribbon shift (items 10 through 17)	✓



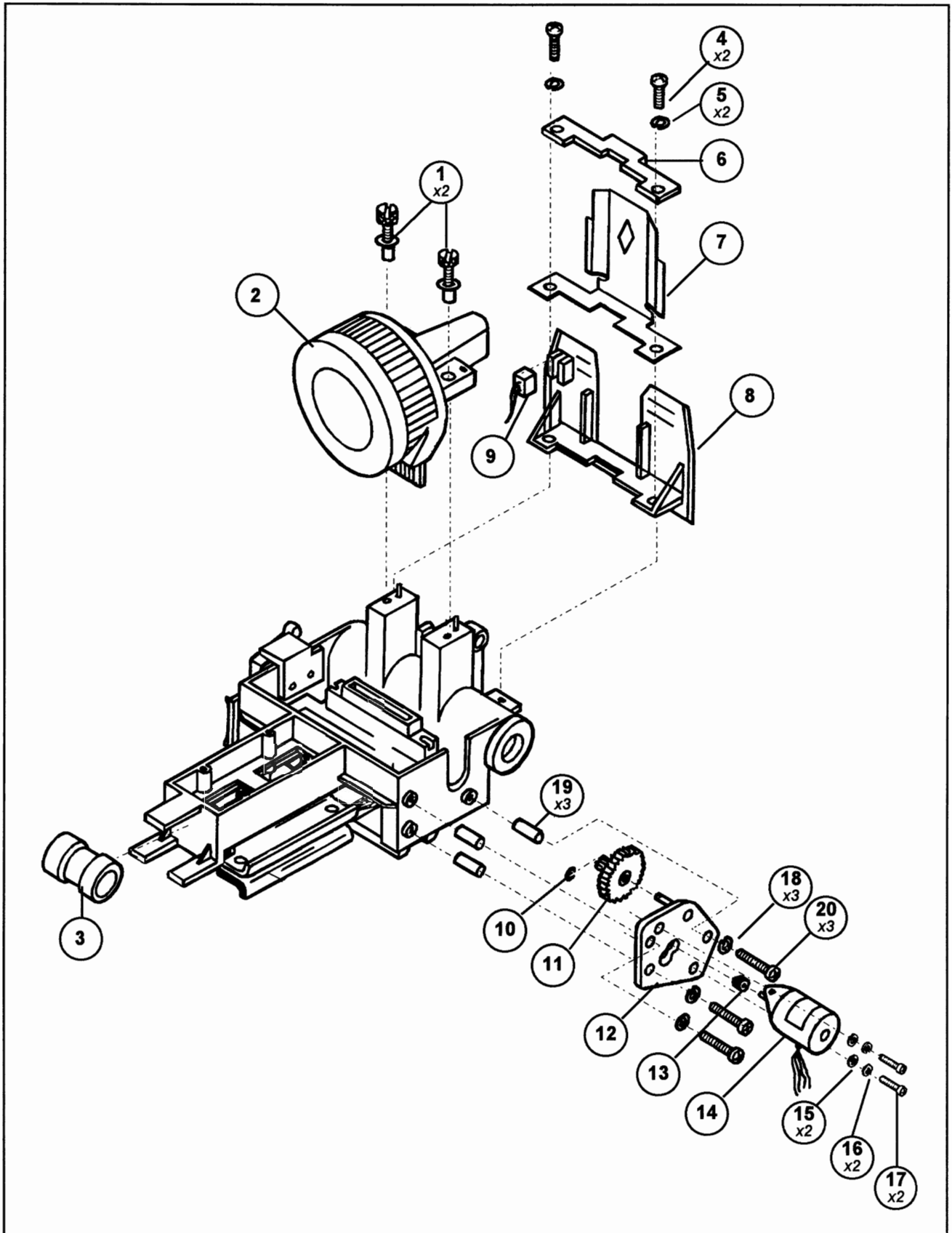


Figure C-16. Carrier with Printhead and Ribbon Lift Motor

**Carrier with Printed Circuit Board, Sensor and Solenoid**

Table C-17. Carrier with Printed Circuit Board, Sensor and Solenoid

<i>Item</i>	<i>Part Number</i>	<i>Quantity</i>	<i>Description</i>	<i>Spare</i>
1	306105	1	Carriage PCB assembly and cables (includes items 11 and 12)	✓
2	857424-006	4	Screw, #4-24 x 3/8,Phillips pan-head, self-tapping, type B	
3	304050	4	Washer, carriage PCB	
4	301019	1	Assembly, carrier-standard 6300 series	✓
5	303018	1	Plate, mating printhead cables	
6	303020	1	Clamp, printhead cables	
7	852440-004	4	Screw, #4-40 x 1/4, Phillips pan-head, zinc-plated steel	
8	865150-004	4	Washer, split-lock, #4, zinc-plated steel	
9	855440-004	4	Screw, #4-40 x 1/4, Phillips falt-head, 100-degrees	
10	306075	1	Cable, printhead interconnect,carriage board JP2 to main PCB J12	✓
11	306074	1	Cable, printhead interconnect, carriage board JP1 to main PCB J11	✓
12	301092	1	Shield, printhead cable, minor	
13	301091	1	Shield, printhead cable, major	
14	852172-003	2	Screw, #1-72 x 3/16, Phillips pan-head, zinc-plate steel	
15	830301-000	1	Solenoid, microshift, 12v, 1.44 L (SP-50) (to carriage board JP4)	✓
16	852256-008	2	Screw, #2-567 x 1/2, Phillips pan-head, zinc-plated steel	
17	865150-002	2	Washer, split-lock, #2, zinc-plated steel	
18	865100-002	2	Washer, flat, #2, zinc-plate steel	
19	306111	1	Ribbon home switch assembly (to carriage board JP6)	✓
20	303023	1	Shield, ribbon home switch	
21	817510-001	1	Cable tie holder, nylon	✓
22	865150-001	2	Washer, split-lock, #1	
<i>Assemblies</i>				
	306105		Carriage board and cables (item 1 includes items 11 and 12)	✓

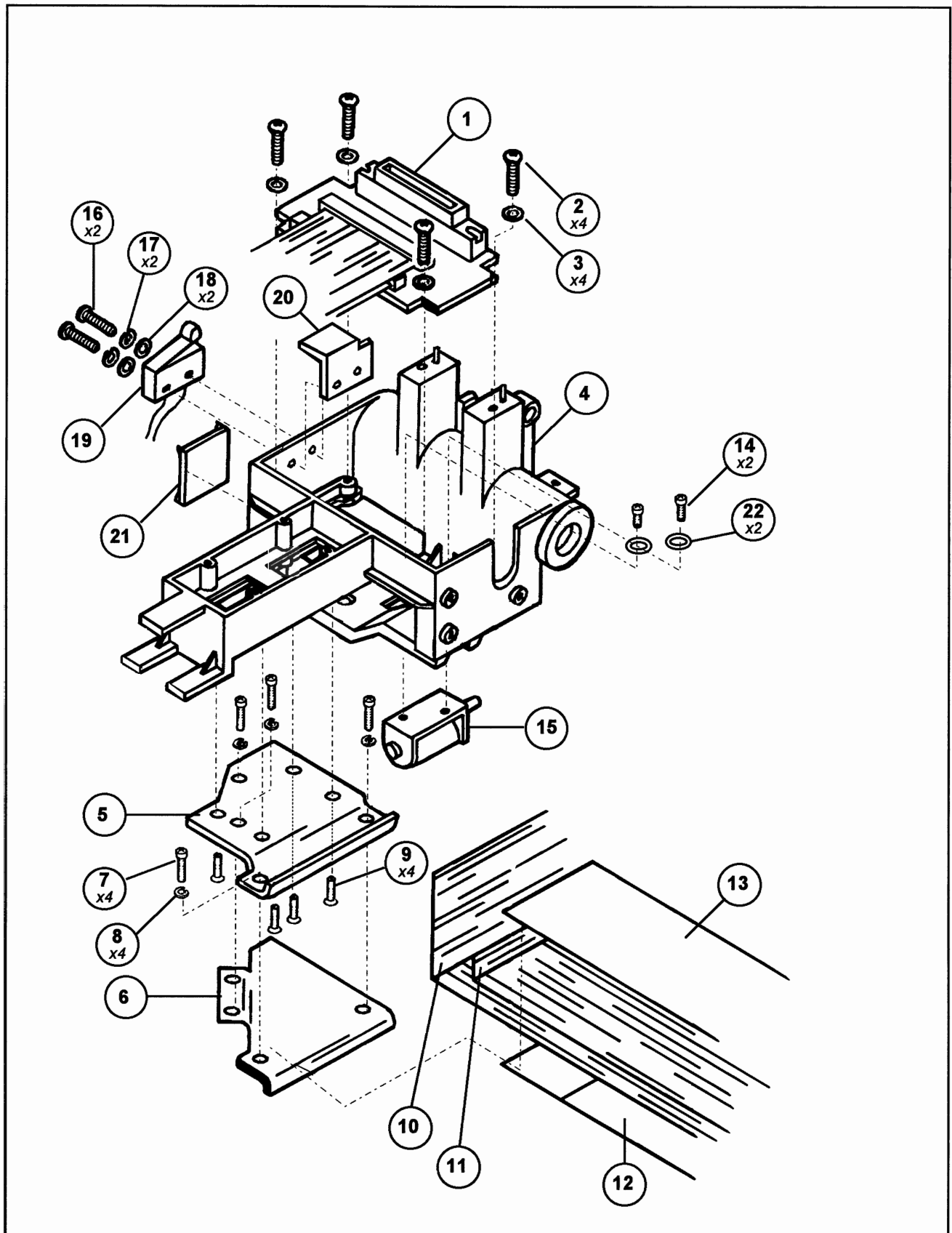


Figure C-17. Carrier with Printed Circuit Board, Sensor and Solenoid

Carrier

Table C-18. Carrier

<i>Item</i>	<i>Part Number</i>	<i>Quantity</i>	<i>Description</i>	<i>Spare</i>
1	304012	1	Carrier, head, machined	
2	304070	1	Bearing, head carrier	
3	304019	1	Lever, micro-shift, machined	
4	873100-020	1	Dowel pin, .125 diameter x .625 length	
5	873104-001	2	Dowel pin, metric, ss, 2mm x 8mm	
6	305082	2	Wiper, carriage shaft, felt	✓
7	304076	1	Retainer, wiper carrier-left	✓
8	304075	1	Retainer, wiper carrier-right	✓
9	305083	2	Bumper, carrier	
10	304062	2	Mount, carrier printed circuit board	
11	302012	1	Stop, micro-shift lever	
12	<i>Varies</i> 868201-371 868201-000	1	Belt, carriage, 0.083 pitch, 0.38 wide 6310 (narrow carriage) 6350 (wide carriage)	✓
13	304048	1	Clamp, carriage belt	
14	852632-008	1	Screw, #6-32 x 1/2, Phillips pan-head	
15	865150-006	1	Washer, split-lock, #6	
16	865100-006	1	Washer, flat, #6	
<i>Assemblies</i>				
	301242		Subassembly, carrier (items 1 through 6)	
	301058		Subassembly, wiper retainer-left (items 8 and 10)	
	301057		Subassembly, wiper retainer-right (items 9 and 10)	
	301019		Assembly, carrier-standard (items 1 through 11)	✓

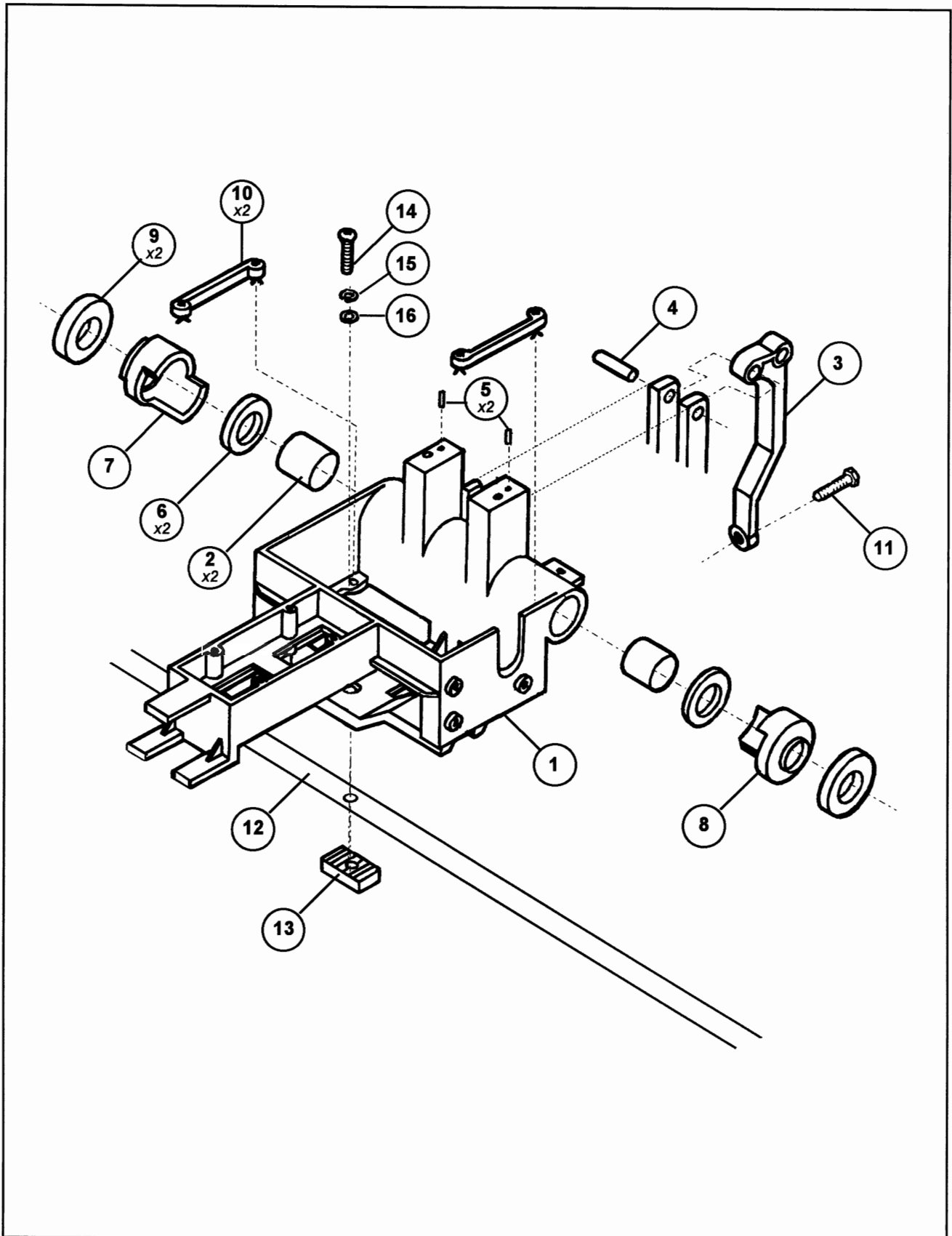


Figure C-18. Carrier

**Powered, Bottom-Feed Stand**

Table C-19. Powered, Bottom-Feed Stand

<i>Item</i>	<i>Part Number</i>	<i>Quantity</i>	<i>Description</i>	<i>Spare</i>
1	852632-005	7	Screw, #6-32 x 5/16, Phillips pan-head, zinc-plated steel	
2	865150-006	5	Washer, split-lock, #6, zinc-plated steel	
3	865100-006	5	Washer, flat, #6, zinc-plated steel	
4	306295	1	Logic interconnect cable from J2 to main PCB at J19 (black)	✓
5	306296	1	Power interconnect cable from J3 to main PCB at J18 (red)	✓
6	306310	1	Assembly, printed circuit board, demand mechanism with jam sensor	✓
7	<i>Varies</i> 381030-010 381030-020	1	Assembly, mechanism-demand (see table C-21) 6310 (narrow-carriage) 6350 (wide-carriage)	
8	<i>Varies</i> 381029-010 381029-020	1	Assembly, housing-demand (see table C-20) 6310 (narrow-carriage) 6350 (wide-carriage)	
9	851440-006	2	Screw, #4-40 x 3/8, Phillips pan-head, self-tapping AB	
10	865150-004	2	Washer, split-lock, #4	
11	301542	1	Assembly, paper jam sensor (to J1 on stand's PCB)	✓
12	304136	1	Block, jam mounting-demand	
<i>Assemblies</i>				
	380506-010		Option, demand-6310 (narrow-carriage) (all items)	
	380506-020		Option, demand-6350 (wide-carriage) (all items)	

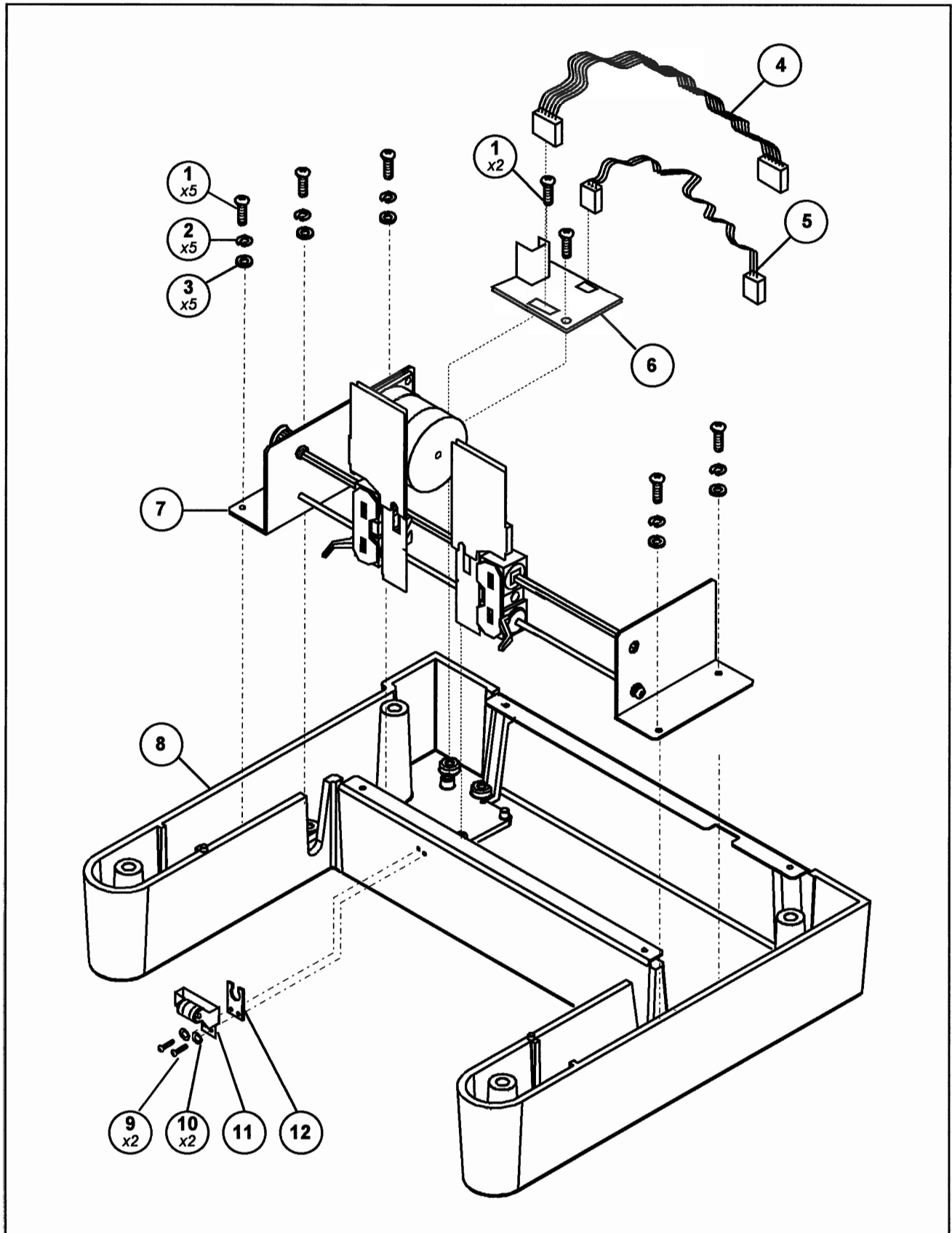


Figure C-19. Powered, Bottom-Feed Stand

## Powered, Bottom-Feed Housing

Table C-20. Powered, Bottom-Feed Housing

Item	Part Number	Quantity	Description	Spare
1	852632-010	4	Screw #6-32 x 5/8, Phillips pan-head, zinc-plated steel	
2	865150-006	4	Washer, split-lock, #6, zinc-plated steel	
3	865000-006	4	Washer, flat, #6, zinc-plated steel	
4	882002-001	4	Grommet, ID.12, OD.34, THK.19	
5	876000-0002	4	Screw, captive #6-32, Phillips pan-head	
6	881101-002	4	Foot, rubber, vibration mounting	✓
7	852632-010	2	Screw #6-32 x 5/8, Phillips pan-head, zinc-plated steel	
8	<i>Varies</i> 385010 3895011	1	Scale 6310 (narrow-carriage) 6350 (wide-carriage)	✓
9	<i>Varies</i> 383004 383007	1	Crossbrace, demand 6310 (narrow-carriage) 6350 (wide-carriage)	✓
10	384017	1	Housing, demand, left	
11	384018	1	Housing, demand, right	
12	881106-018	2	O-ring, NPN, ID.75, OD.875	
13	384019	2	Track, demand-left	
14	384020	2	Track, demand-right	
15	382012	2	Pin, demand foot	
16	384021	2	Foot, demand-stand, 6300	
17	382013	2	Rod, demand, foot	
18	852632-006	2	Screw #6-32 x 3/8, Phillips pan-head, zinc-plated steel	
<i>Assemblies</i>				
	381019		Assembly, foot-6300D (items 6, 15, 16, 17 and 18)	
	381035		Assembly, foot/track-6300D (items 6 and 12 through 18)	✓
	381034		Subassembly, housing, left-6300D (items 4, 5, 6, 7 and 10)	✓
	381033		Subassembly, housing, right-6300D (items 4, 5, 6, 7 and 11)	✓
	381032		Housing, left-6300D (items 4, 5, 6, 7, 10 and 15 through 18)	
	381031		Housing, right-6300D (items 4, 5, 6, 7, 11 and 15 through 18)	
	<i>Varies</i> 381029-010 381029-020		Assembly, housing, demand (all items) 6310 (narrow-carriage) 6350 (wide-carriage)	



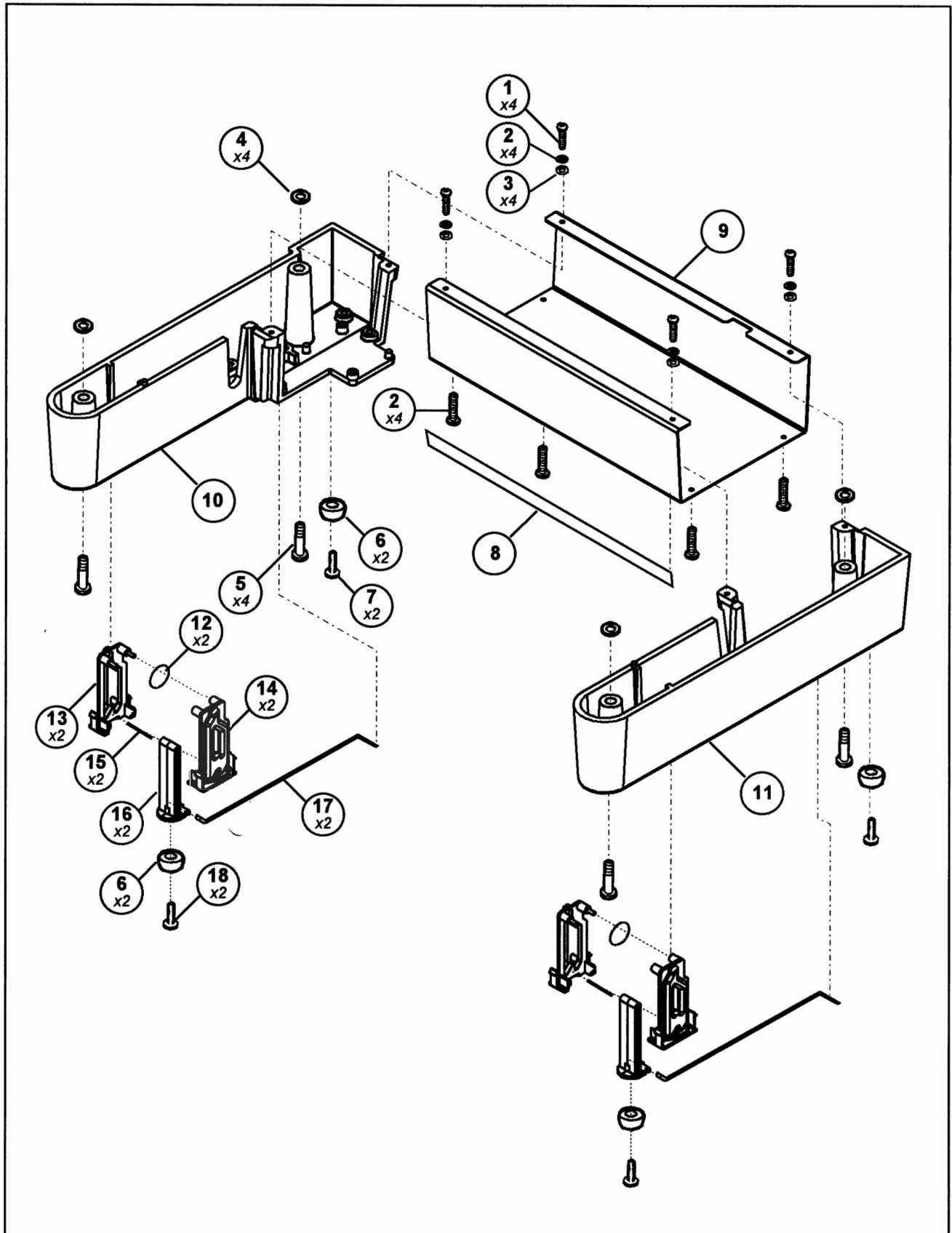


Figure C-20. Powered, Bottom-Feed Housing

## Powered, Bottom-Feed Mechanism

Table C-21. Powered, Bottom-Feed Mechanism

Item	Part Number	Quantity	Description	Spare
1	868200-008	1	Belt, 40dp 1/4W 90-groove	✓
2	868102-024	1	Pulley, 40dp 2 flg 1/4 belt 24-groove with set screws	✓
3	852832-006	3	Screw #8-32 x 3/8, Phillips pan head, zinc-plated steel	
4	865150-008	3	Washer, split-lock, #8, zinc-plated steel	
5	865100-008	3	Washer, flat, #8, zinc-plated steel	
6	304121	1	Pulley, motor 16-groove, 1/180	
7	849832-004	2	Screw, set, #3-32 x 1/4 HSH KNL C/PT	
8	306102	1	Subassembly, motor (PJ55) 13" leads (to J4 on stand's PCB)	
9	383005	1	Bracket, left, demand	
10	304025	2	Bearing, tractor drive shaft	
11	383006	1	Bracket, right-6300D	
12	852632-006	2	Screw, #6-32 x 3/8, Phillips pan-head, zinc-plated steel	
13	865150-006	2	Washer, split-lock, #6, zinc-plated steel	
14	865350-005	1	Washer, nylon, OD.5, ID>193, THK.125	
15	<i>Varies</i> 382009 382018	1	Shaft, tractor drive-demand 6310 (narrow-carriage) 6350 (wide-carriage)	
16	<i>Varies</i> 382010 381019	1	Shaft, tractor support-demand 6310 (narrow-carriage) 6350 (wide-carriage)	
17	890132-098	1	Tractor, 4-pin, .03 gap-left	
18	303113	1	Guide, tractor demand-left	
19	852440-020	2	Screw, #4-40 x 1 1/4, Phillips pan-head, zinc-plated steel	
20	865600-004	6	Washer, flat, light, #4, zinc-plated steel	
21	865150-004	2	Washer, split-lock, #4	
22	857328-004	2	Screw, #3-28 x 1/4, Phillips pan-head, zinc-plated steel BT	
23	850440-001	4	Nut, hex, #4-40, standard, zinc-plated steel	
24	303112	1	Guide, tractor demand-right	
25	890132-099	1	Tractor, 4-pin, .03 gap-right	
<i>Assemblies</i>				
	301350		Subassembly, motor/pulley paper-feed (items 6, 7 and 8)	✓
	381038		Subassembly, motor plate, left 6300D (items 9 and 10)	
	381037		Assembly, plate, right 6300D (items 10 and 11)	
	381036		Assembly, motor/plate, left-6300D (items 2 through 10)	
	301526		Assembly, tractor/guide-left (items 17 through 23)	✓
	301505		Subassembly, tractor/guide-right (items 19 through 25)	✓
	381030-010		Assembly, mechanism-6310D (narrow-carriage) (all items)	
	381030-020		Assembly, mechanism-6350D (wide-carriage) (all items)	

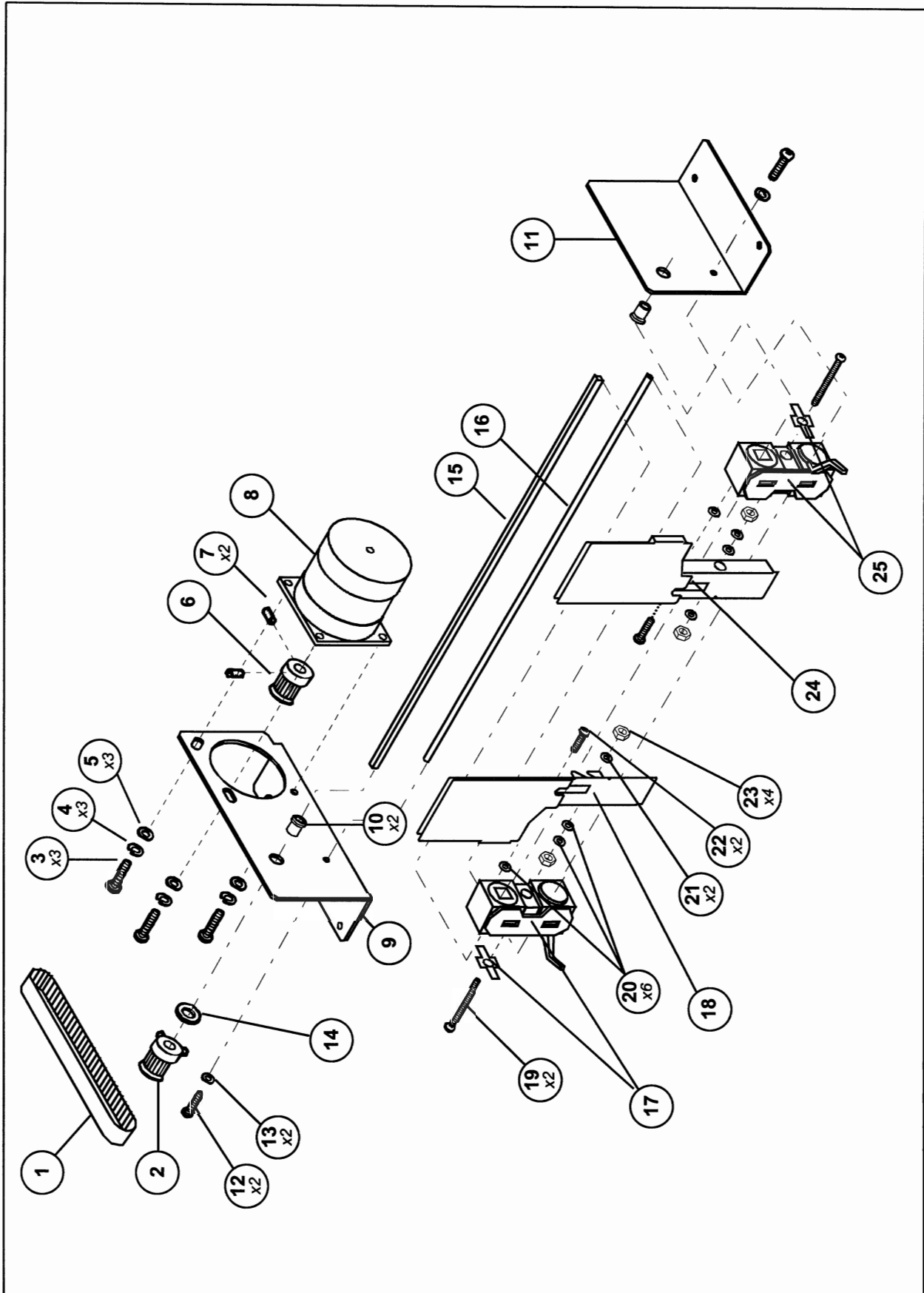


Figure C-21. Powered, Bottom-Feed Mechanism