

PRINTHEAD REPLACEMENT INSTRUCTIONS

BILL OF MATERIALS:

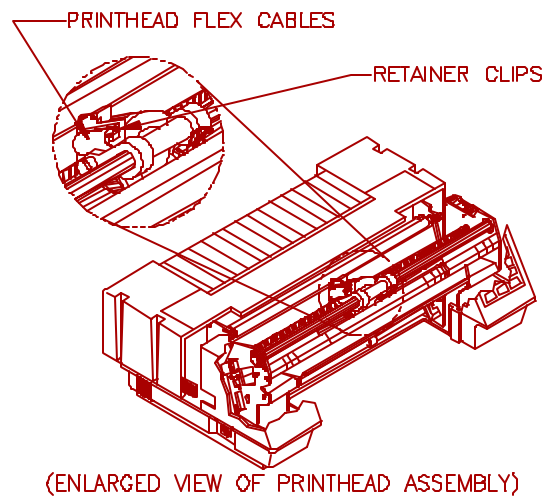
1. BBF-103968 Replacement Instructions
2. AAB-106082 Printhead Assembly
3. CAP-103674 Miniature Cable Clamp

RECOMMENDED TOOLS:

1. Small Phillips Head Screwdriver

PRINTHEAD REPLACEMENT:

1. Turn the POWER switch to OFF.
2. Slide rear cover back.
3. Open front cover from the top to access the printhead.
4. Remove ribbon and ribbon guide.
5. Move the printhead away from the platen using the printhead adjustment lever.

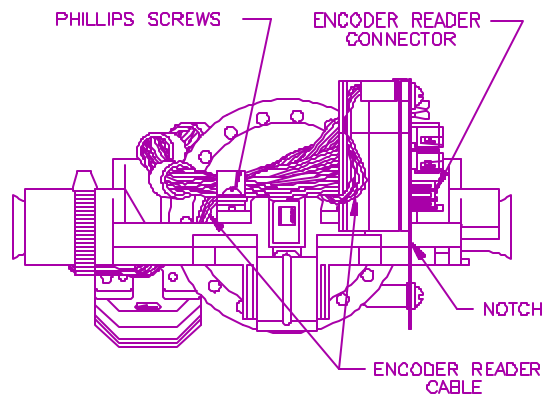


(ENLARGED VIEW OF PRINTHEAD ASSEMBLY)

Figure 1

6. On the upper left side of the printhead is a cable assembly consisting of two (2) flex cables. With your fingers on each end of the cable connector, slide the retaining clip to the left. This opens the connector so that the cable can be removed. Disconnect one cable at a time (Figure 1).

7. Remove the two (2) phillips head screws from the front of the printhead on each side of the nose. Lift the printhead slightly so that you can disconnect the 2 x 3 encoder reader connector (notice the routing of the encoder reader cable over the nose of the printhead and through the small notch in the PC board that is mounted on the printhead). After disengaging the encoder reader connector remove the printhead from the unit (Figure 2).



(VIEW FROM NOSE OF PRINTHEAD)

Figure 2

8. To install the new printhead, press the encoder reader cable onto the connector on the PC board that is attached to the printhead. The cable and the connector are keyed to ensure proper alignment of pins. Place the new printhead in the carriage. Ensure that the encoder reader cable is routed over the nose of the printhead and through the notch on the PC board as before. Ensure that the alignment pins on the carriage mate with the alignment holes on the printhead (Figures 2 & 3).
9. Secure the new printhead with the two (2) phillips head screws in the noseplate. Ensure that the cable clamp is around the wire bundle and is fastened by one screw (position clamp as shown in Figure 3).
10. Re-insert the printhead flex cables into the connectors and slide the retaining clips closed (Figure 1).
11. Replace the ribbon and the ribbon guide.
12. Close front cover and slide rear cover forward.
13. Move the printhead using the printhead adjustment lever back to the original printhead-to-platen gap setting before operating printer.

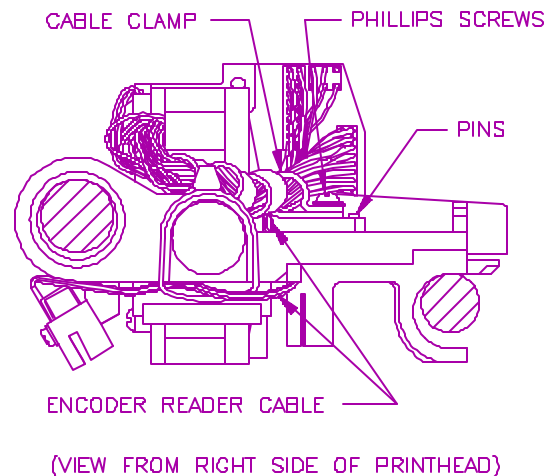


Figure 3