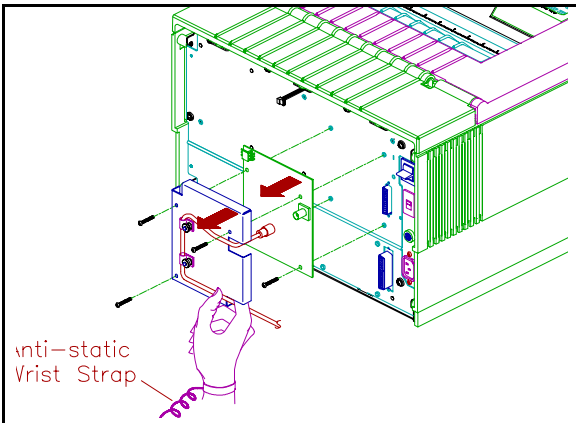


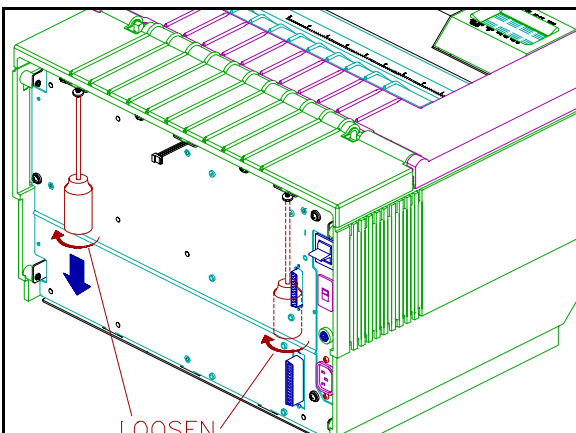
INSTALLATION INSTRUCTIONS

(For Rear Exit Rack)

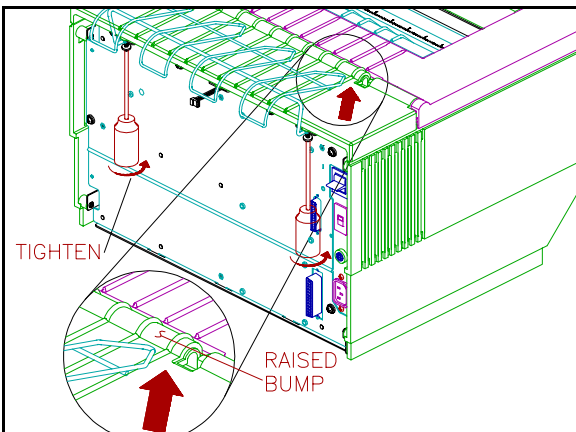
BBF-104860 Rev. *



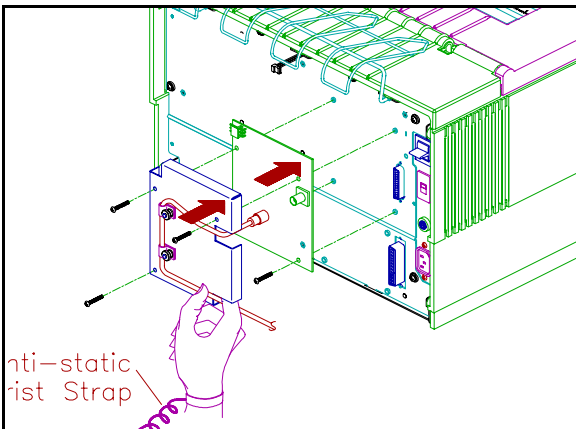
1. If your printer is equipped with a TWINAX or COAX interface, take proper anti-static precautions and remove the metal shield and electronics board as shown. (WARNING: Failure to properly ground yourself with an anti-static wrist strap may permanently damage the electronics)



2. Remove (2) screws from the upper rear of the printer using a Phillips screwdriver (not included).



3. Insert screws through wire rack holes and install rack as shown. Turn screws until they are tight. (NOTE: Make sure the front of the rack rests behind the raised bump)



4. Replace the TWINAX or COAX interface (using proper anti-static precautions) if you had previously removed it in Step 1.