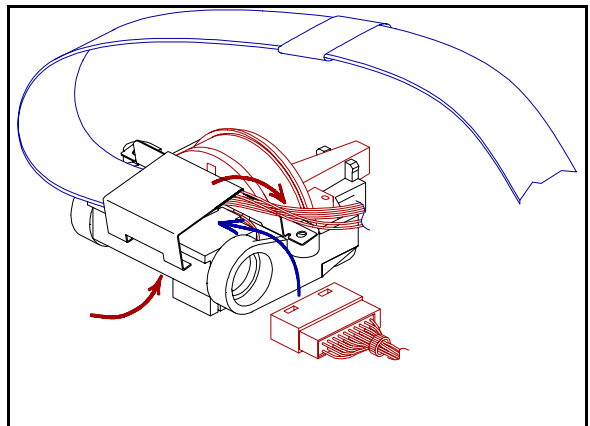
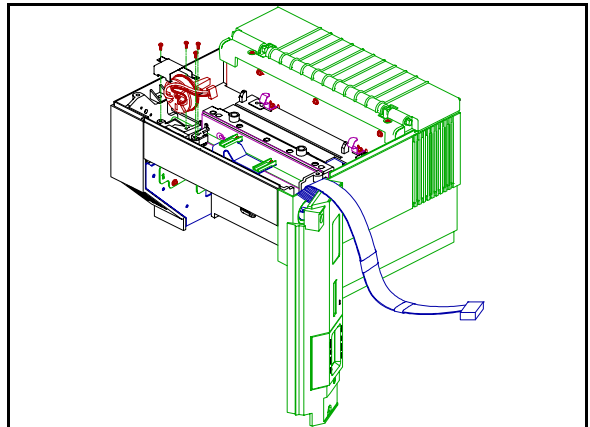
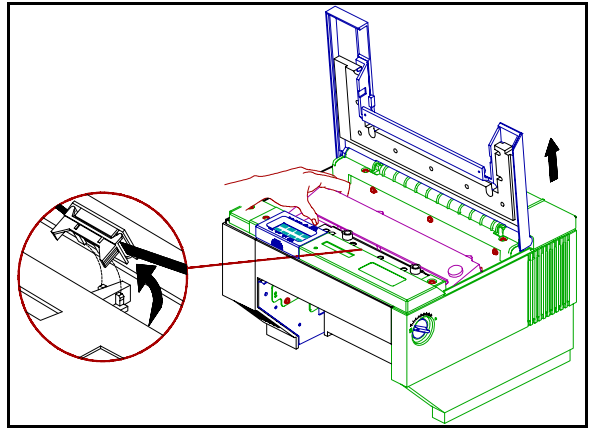


RUGGED PRINTER PRINthead REMOVAL INSTRUCTIONS

BBF-104868-1 REV. *

Printhead Removal

1. Remove access cover.
2. Remove the ribbon guide from the printhead and lift the ribbon cartridge assembly from the printer.
3. Remove velcro from keypad and mating velcro from access cover. Upon removal discard.
4. Remove screws (2) and flat washers securing keypad support assembly.
5. Rotate keypad support assembly toward right side of printer and rest on table top. Be careful to not put tension on the cables.
6. Remove the printhead cable retainer by removing (2) screws.
7. Unplug printhead cable assembly from the printhead assembly.
8. Remove the (2) screws securing the print head and lift printhead assembly out of carriage.
9. Replace in reverse order.



Installation of Velcro

1. Remove clear plastic from one side of velcro exposing adhesive.
2. Place adhesive side of 1 1/2" section of velcro on left and 3/4" section on right. Place label supplied in kit over current label. Press each firmly on surfaces.
3. Remove remaining clear plastic from velcro. Close lid and press firmly to ensure opposite side of velcro bonds to access lid.
4. Raise lid. Velcro should be adhered to access lid opposite mating section.

