

## DOCUMAX A6300 FIRMWARE INSTALLATION INSTRUCTIONS

### Tools Required:

No.2 Phillips screwdriver, DIP Extractor tool  
Wrist strap (or similar device) for ESD grounding

### To Prepare the Printer for Maintenance

1. Verify that all replacement parts and tools are present.
2. Turn off the power switch, unplug the AC power cord, and disconnect all communication and interface cables.

**IMPORTANT:** Properly ground yourself using an ESD wrist strap (or similar device) to prevent static discharge damage to the electronics.

### To Install Firmware

3. Remove six #8 Phillips screws (1.1) from the Rear Panel (2.1) and carefully open and lower the panel from the top end.

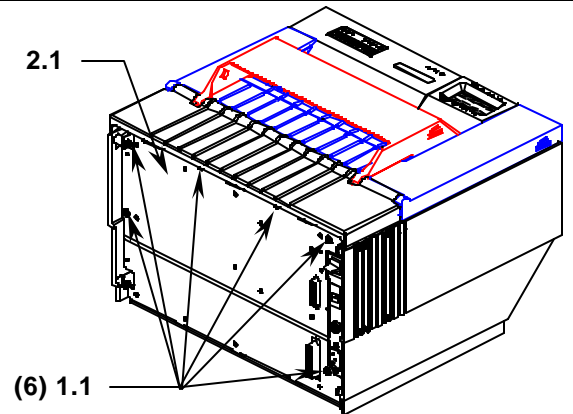


Figure 1

4. Remove each PROM IC labeled U32 and U36 from the Main Control Board Assembly.
5. Install the replacement PROMs in locations U32 and U36. Be sure the notch located at the top end of each PROM matches the silk-screened notch on the printed circuit board assembly. Failure to do so may result in damage to the PROMs or the board.

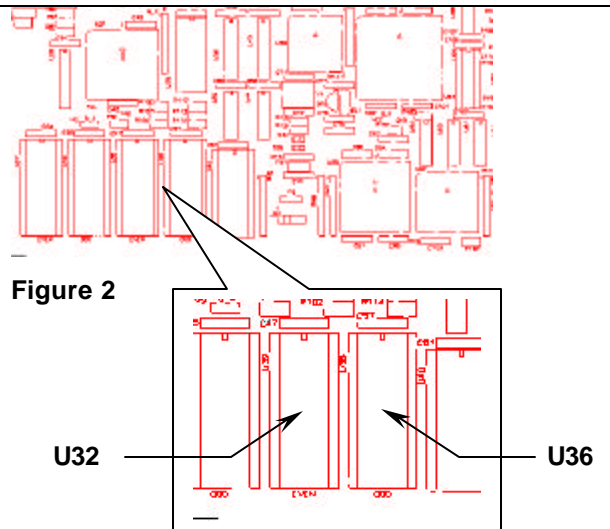


Figure 2

- 15.** Close the Rear Panel and secure it with the six #8 Phillips screws listed in step 3.
- 16.** Reconnect all communication and interface cables, plug-in the AC power cord and turn on the power switch.
- 17.** After the unit is powered on, the LCD (Liquid Crystal Display) will indicate a NVRAM failure. Continue following the instructions indicated on the LCD to complete the installation procedure.  
*(If the printer is not a Single Tractor Only unit, then enter the System Menu and change the CONFIG feature to reflect your printer option.)*
- 16.** Verify proper functionality by printing a test page (*refer to the Operations and/or Maintenance Manuals if you need additional information.*)