

Codewriter 4500 Series Flash ROM Expansion Installation Instructions

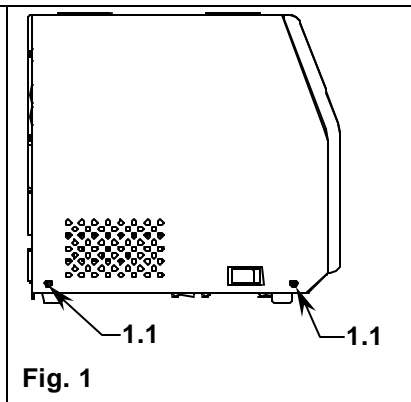
Tools Required:

- No.2 Phillips screwdriver
- Wrist strap (or similar device) for ESD grounding

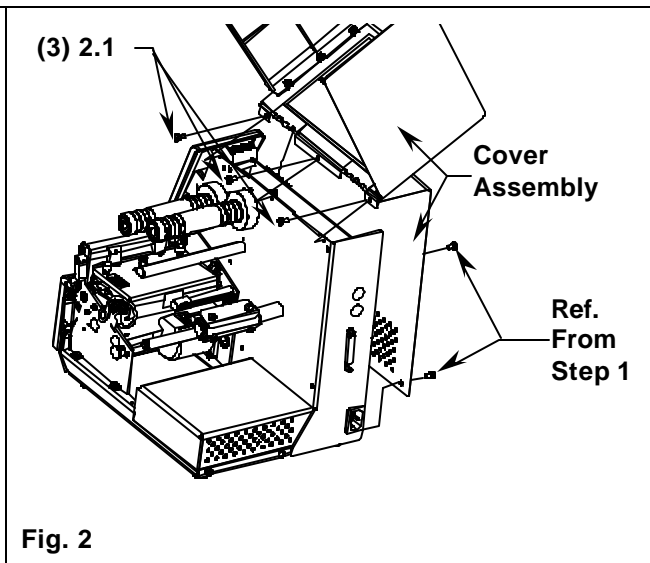
To Prepare the Printer for Maintenance

1. Verify that all replacement parts and tools are present.
2. Turn off the power switch, unplug the AC power cord, and disconnect all communication and interface cables.

3. Remove two M4 Phillips screws (1.1) from the left side panel of the printer (Fig.1 & 2).



4. Lift and rotate the right side panel until it rest on the top side of the left panel then remove three M4 Phillips screws (2.1) and the Cover Assembly from the printer chassis (Fig.2).



Installation of the Flash ROM Expansion

IMPORTANT: Properly ground yourself using an ESD wrist strap (or similar device) to prevent static discharge damage to the electronics.

5. Slide the 6-32 Phillips screw (3.1) and a Nylon Washer (3.2) through the center hole on the Flash ROM Expansion PCB Assembly (3.3) followed by a Nylon Spacer (3.4). Locate the hole on the Main PCB Assembly with the screw that's assembled through the Flash ROM Expansion PCB Assembly then plug the Flash ROM Expansion PCB Assembly into the J4 connector located on the Main PCB Assembly. Secure the Flash ROM Assembly to the Main Assembly with a Nylon Washer (3.5) and a 6-32 Hex nut (3.6).

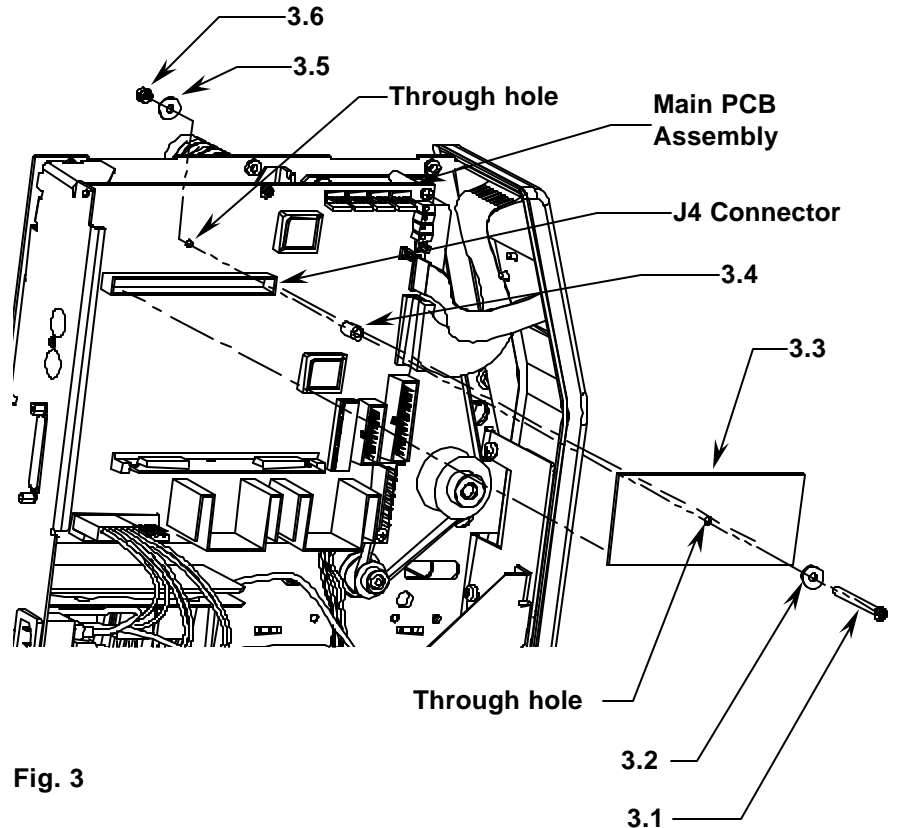


Fig. 3

6. Check your work previously done, then secure the Cover Assembly to the printer chassis with the five M4 Phillips screws (see Fig.1 & 2).
7. Reconnect all communication and interface cables and plug-in the AC power cord.
9. Verify proper functionality by printing a test label (*refer to the Operations and/or Maintenance Manuals if you need additional information.*)